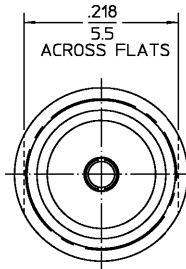
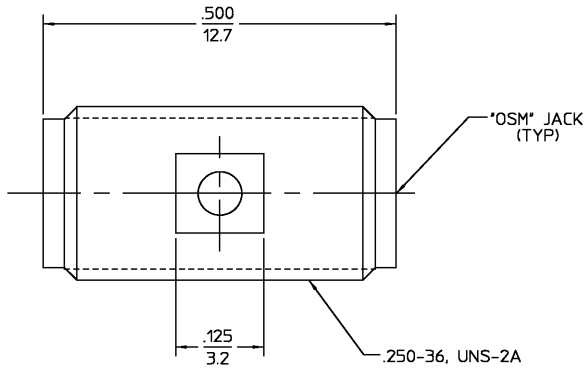


REVISIONS			
REV	DESCRIPTION	DATE	APPROVED
02 ₁	REVISED	4/15/96	<i>[Signature]</i> 05/22/96



.XXX = in
XX.X = mm

COMPONENT	MATERIAL	FINISH
HOUSING	STAINLESS STEEL PER ASTM-A484 AND ASTM-A582, TYPE 303	GOLD PLATE PER MIL-G-45204
DIELECTRIC	TFE FLUOROCARBON PER ASTM-D-1457	N/A
CENTER CONTACT	BERYLLIUM COPPER PER ASTM-B-196 OR ASTM-B-197, ALLOY C17300, CONDITION H	GOLD PLATE PER MIL-G-45204

NOTES:
1. CAPTURED CENTER CONTACT

UNLESS OTHERWISE SPECIFIED DIMENSIONS ARE IN INCHES FRAC. ± 1/64 DEC. ± .005 ANGLES ± °	DRAWN BY A.A.	DATE 3-1-79	AMP AMP Incorporated 140 Fourth Avenue Waltham, MA 02451-7599
	CHECKED BY R.M.F.	3-6-79	
These drawings and specifications are the property of M/A CDM Interconnect Div. and shall not be reproduced or copied or used in whole or in part as the basis for the manufacture or sale of (item) without written permission.	APPD BY GH	3-9-79	TITLE "OSM" HIGH FREQ 27 GHz JACK TO JACK ADAPTER
	USE ASSY PROCEDURE NO. AP. N/A	SIZE B	CODE IDENT NO. 26805
		SCALE	2780-0000-00
			SHEET 1 OF 1

CUSTOMER DRAWING

AMP PART # 1056333-1
SHEET 1 OF 1 REV A