

4

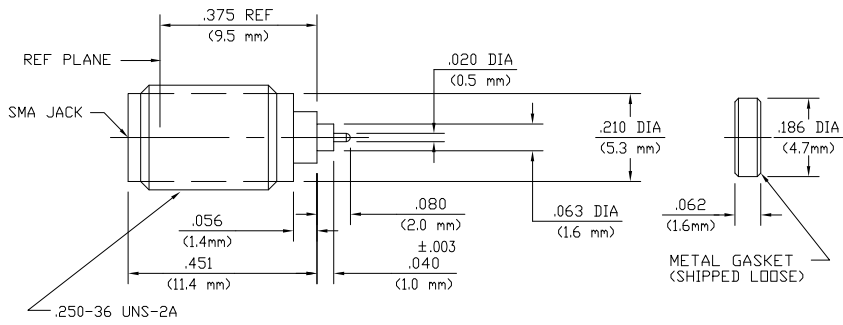
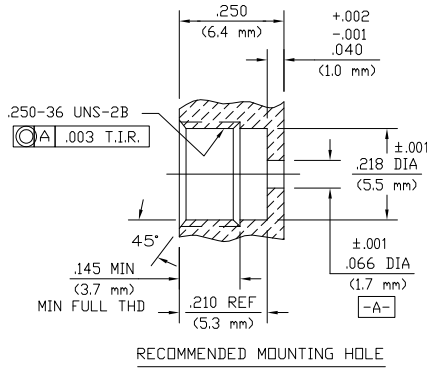
3

2

1

THIS DRAWING IS UNPUBLISHED. RELEASED FOR PUBLICATION BY TYCO ELECTRONICS CORPORATION. ALL RIGHTS RESERVED.

LOC	DIST	REVISIONS		
HC	00	P	LTR	DESCRIPTION
		A		REV PER ECO 06-002539
			DATE	MIN
			07APR06	GB JH



RECOMMENDED MOUNTING HOLE

NOTES:  
1. CAPTURED CENTER CONTACT

ELECTRICAL	MECHANICAL	ENVIRONMENTAL
Nominal Impedance (Ohms) 50	Interface Dimensions MIL-STD-348	TEMPERATURE RATING -65°C TO +125°C
Frequency Range (GHz) DC - 26.5	Recommended Mating FIG 310.2	Vibration - MIL-STD-202, Method 204, Condition D, 20's
Volt Rating (VRMS MAX) 335 @ Sea Level	Torque N/A	Shock - MIL-STD-202, Method 213, Condition I
VSWR 1.04 + (.009 F/GHz)	Mating Characteristics:	Thermal Shock MIL-STD-202, Method 107, Condition B
Insertion Loss (dB MAX) .05√F(GHz)	Insertion (MAX Lbs) 3.0	EXCEPT HIGH TEMP 115°C
RF Leakage (dB MIN) -100 - F(GHz)	Withdrawal (MIN Oz) 1.0	Moisture Resistance - MIL-STD-202, Method 106
Corona, 70,000 Ft (VRMS MIN) 333	Force To Engage (in/Lbs MAX) 2.0	Corrosion - MIL-STD-202, Method 101, Condition B, 5% salt spray
Dielectric Withstanding Voltage (VRMS MIN) 1000 @ Sea Level	Force To Disengage (in/Lbs MAX) 2.0	Leak Test - MIL-STD-202, Method 112, Condition C, Procedure I, 1 x 10 CC/Sec
Contact Resistance (Milliohms MAX)	Center Contact Captivation	
Center Contact 10.0	Axial 6.0 Lbs	
Outer Contact 2.0	Radial N/A	
RF High Potential (VRMS MIN @ 5 MHz) 670 @ Sea Level	Weight (Grams) T.B.D.	
I.R.(Megohms) 5000		

6053227-1  
PART NUMBER

HOUSING	STAINLESS STEEL PER ASTM-A484 AND ASTM-A582, TYPE 303	PASSIVATE PER ASTM A 380
DIELECTRIC	TFE FLUOROCARBON PER ASTM D 1710	N/A
CTR CONTACT	BERYLLIUM COPPER PER ASTM B196,	GOLD PLATE PER ASTM B 488
CONTACT EXT	IRON-NICKEL-COBALT ALLOY PER MIL-I-23011 (KQVAR)	GOLD PLATE PER ASTM B 488
METAL GASKET	SAE C12L14 STEEL	SILVER PLATE PER ASTM B 700
HERMETIC SEAL	GLASS BEAD	N/A
COMPONENT	MATERIAL	FINISH

THIS DRAWING IS A CONTROLLED DOCUMENT.

DESIGNED BY: L. BOSS	DATE: 10APR90	Tyco Electronics Corporation Harrisburg, PA 17105-3608
DRAWN BY: J. B. BOSS	DATE: 10APR90	
CHECKED BY: J. B. BOSS	DATE: 10APR90	SMA PANEL FEEDTHRU JACK RECEPTACLE HERMETICALLY SEALED (2058-5119-02)
APPROVED BY: J. B. BOSS	DATE: 10APR90	
APPLICATION SPEC: 408-4847	SIZE: A2	00779C-6053227
MATERIAL: SEE NOTES	FINISH: SEE NOTES	CUSTOMER DRAWING

SCALE: 6:1 SHEET 1 of 1 REV A

AMP 1471-9 REV 31MAR2000

6053227

A