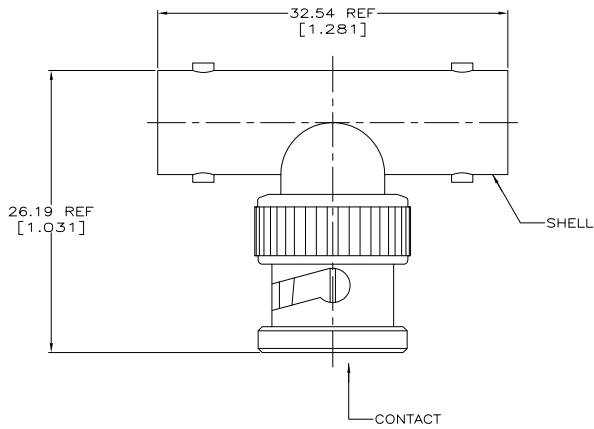


THIS DRAWING IS UNPUBLISHED. RELEASED FOR PUBLICATION. COPYRIGHT BY TYCO ELECTRONICS CORPORATION. ALL RIGHTS RESERVED.

REV	DATE	BY	APPD	DESCRIPTION
16				
F				REVISED PER EC OS14-0456-04
	09MAY05	BM	JL	



1. COMPARABLE TO UG/U CONNECTOR 274A
2. PART MAY BE INNER-MATED WITH PRODUCT PER MIL-C-39012

- ⚠ MATERIAL:
  - ⚠ DIELECTRIC: PTFE
  - ⚠ JACK, CENTER CONTACT: BERYLLIUM COPPER
  - ⚠ JACK, OUTER CONTACT: BRASS
  - ⚠ PLUG, CENTER CONTACT: BRASS
  - ⚠ PLUG, OUTER CONTACT: BRASS
- ⚠ GOLD PLATING PER MIL-G-45204, 0.76μm [.000030] MIN THICKNESS
- ⚠ NICKEL PLATING PER QQ-N-290, 2.54μm [.000100] MIN THICKNESS
- ⚠ SILVER PLATING PER QQ-S-365, 5.08μm [.000200] MIN THICKNESS
- ⚠ SEE SEPARATE RESTRICTED CUSTOMER DRAWING WITH THIS PN
- ⚠ SAME AS 221543-2 EXCEPT PACKAGED 5 PER BOX

REVISION	DESCRIPTION	DATE	BY	APPD
⚠	OBSOLETE			221543-9
⚠				221543-8
⚠				221543-7
⚠	SUPERSEDED BY 221543-2			221543-3
⚠				221543-2
⚠	SUPERSEDED BY 413592-4			221543-1

THIS DRAWING IS A CONTROLLED DOCUMENT.		DN M.E. COWHER 5-10-91	Tyco Electronics Corporation Harrisburg, Pa 17105-3608	
DIMENSIONS: mm [INCHES]		DR LIPPERT 5-24-91	T-ADAPTER, SERIES BNC	
TOLERANCES UNLESS OTHERWISE SPECIFIED:		APRO	RESTRICTED TO	
Ø	PLC	± .005	SIZE	A2
□	PLC	± .005	CAGE CODE	00779
⊥	PLC	± .005	DRAWING NO	221543
∠	PLC	± .005	WEIGHT	
FINISH	PLC	± .005	CUSTOMER DRAWING	
MATERIAL		FINISH	SCALE	4:1
⚠		⚠ 4 ⚠ 5 ⚠ 6	SHEET	1 of 1

AMP 1471-B REV 31MMR2000

221543