

4

3

2

1

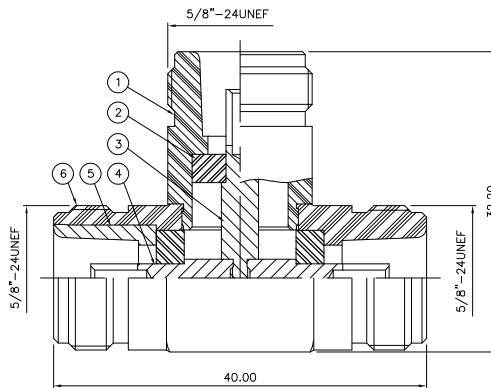
THIS DRAWING IS UNPUBLISHED. RELEASED FOR PUBLICATION AUG. 2006.

COPYRIGHT 2006 BY TYCO ELECTRONICS CORPORATION. ALL RIGHTS RESERVED.

LOC	DIST	REVISIONS			
P	LTR	DESCRIPTION	DATE	DWN	APVD
E	B	B	ECR-06-017552	01AUG06	JMS FWK

NOTES:

- △ PACK IN ACCORDANCE WITH AMP SPEC 107-3275
- △ 100 TRAY PACK IN ACCORDANCE WITH AMP SPEC 107-3275
- △ Au PLATING
- △ Ni PLATING
- 5 ELECTRICAL CHARACTERISTICS
 FREQUENCY RANGE: DC - 11 GHz
 NOMINAL IMPEDANCE: 50 Ohm
 INSULATION RESISTANCE: 5000 MOhm
 WORKING VOLTAGE: 1000 Volts RMS at Sea Level
 DIELECTRIC WITHSTAND VOLTAGE: 2500 Volts RMS Max
 CONTACT RESISTANCE:
 CENTRE CONTACT: 1.00 mOhm Max
 OUTER CONTACT: 1.00 mOhm Max
 VSWR @ xGHz: N/A
 INSERTION LOSS xdb: N/A
- 6 MECHANICAL CHARACTERISTICS
 COUPLING RETENTION FORCE: 445N Min
 DURABILITY: 500 Cycles Min
- 7 ENVIRONMENTAL CHARACTERISTICS
 OPERATING TEMPERATURE: -65 to +165 DegC
- 8 FOR TECHNICAL DATA REFER TO YOUR LOCAL TYCO ELECTRONICS SALES OFFICE
- 9 ALL DIMENSIONS ARE NOMINAL FOR REFERENCE ONLY UNLESS OTHERWISE STATED



QTY	PER ASSY	MATERIAL	DESCRIPTION	ITEM
1	1	BRASS	△ BODY 2	6
1	1	BRASS	△ CHASSIS	5
1	1	BRASS	△ CONTACT II	4
1	1	BRASS	△ CONTACT I	3
3	3	PTFE	INSULATION	2
1	1	BRASS	△ BODY 1	1
6--0	1--0	MATERIAL	DESCRIPTION	ITEM

THIS DRAWING IS A CONTROLLED DOCUMENT.		DWN J. SANDWELL 01AUG06	Tyco Electronics Corporation Bideford EX39 4HE	
DIMENSIONS: mm	TOLERANCES UNLESS OTHERWISE SPECIFIED: 0 PLC ± - 1 PLC ± - 2 PLC ± - 3 PLC ± - 4 PLC ± - ANGLES ± -	CHK S. PARLOW 01AUG06	NAME F. WHEELER-KING	
MATERIAL SEE TABLE	FINISH -	APVD F. WHEELER-KING 01AUG06	PRODUCT SPEC APPLICATION SPEC WEIGHT -	
CUSTOMER DRAWING		SIZE A3	CAGE CODE 00779	DRAWING NO 1478177
SCALE NTS		RESTRICTED TO -		REVISION B

AMP 1470-19 REV 31MAR2000