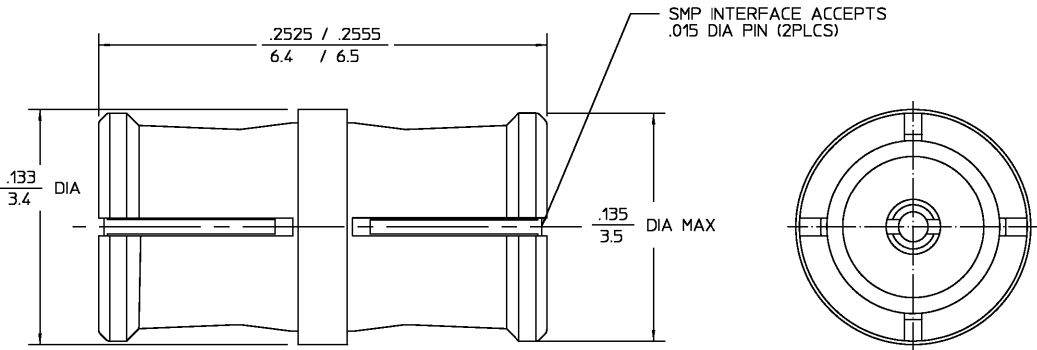


REVISIONS			
REV	DESCRIPTION	DATE	APPROVED
010	RELEASED	6/15/95	<i>RAC</i>



NOTE:
 * SPECIFICATIONS SHOWN DERIVED FROM TESTING USING THIS ADAPTER AND M/A-COM TEST FIXTURE 2998-5042-02 AS SPECIFIED IN DESC SPEC 94007. VSWR: DC-23GHz:1.10:1 MAX; 23-26.5GHz: 1.15:1 MAX; 26.5-40GHz: 1.7:1 MAX.

DESC DRAWING NUMBER: 94007ZCG-1

ELECTRICAL	MECHANICAL	ENVIRONMENTAL	HOUSING CONTACT	MATERIAL	FINISH
Nominal Impedance (Ohms) 50 ±1	Force to Engage (Lbs MAX) 10.0	Temperature Rating -65° to +125°C	BERYLLIUM COPPER PER ASTM-B196, ALLOY C17300, CONDITION H	GOLD PLATE PER MIL-G-45204	
Frequency Range (GHz)DC to 40GHz	Disengage (In Lbs MIN) 2.0	Vibration MIL-STD-202, Method 204, Condition D	DIELECTRIC	TFE FLUOROCARBON PER ASTM-D-1457	N/A
Volt Rating (VRMS MAX) @ Sea Level 335	Center Contact Retention (Lbs MIN) 15	Thermal Shock MIL-STD-202, Method 107, Condition B	COMPONENT MATERIAL FINISH		
*VSWR See Above	Radial Misalignment: ±.020	Corrosion - MIL-STD-202, Method 101, Condition B	UNLESS OTHERWISE SPECIFIED DIMENSIONS ARE IN INCHES TOLERANCE ON		
RF Leakage (2-3GHz) -80dB Min	Axial Misalignment: .000/.010	Moisture Resistance: MIL-STS-202, Method 106.	FRAC. DEC. ANGLES ± 1/64 ±.005 ± °		
*Insertion Loss .010 @ 1 GHz dB MIN.	Durability: 100 cycles		DRAWN BY <i>RAC</i> DATE 5/10/94		
Corona, 70,000 Ft (VRMS MIN) 190			CHECKED BY <i>RAC</i> DATE 5/10/94		
Dielectric Withstanding Voltage (VRMS MIN) @ Sea Level 500			APPROVED BY <i>RAC</i> DATE 5/10/94		
Contact Resistance (Milliohms MAX) Center Contact(Mated Pair) 6.0			AMP Incorporated 140 Fourth Avenue Waltham, MA 02451-7599		
RF High Potential @ Sea Level (VRMS MIN @ 5 MHz) 325			TITLE OSMP JACK TO JACK ADAPTER		
IR.(Megohms MIN) 5,000			NO. AP. N/A		
			SCALE 20 : 1		
			SHEET 1 OF 1		

CUSTOMER DRAWING AMP PART # 1056703-1 SHEET 1 OF 1 REV A