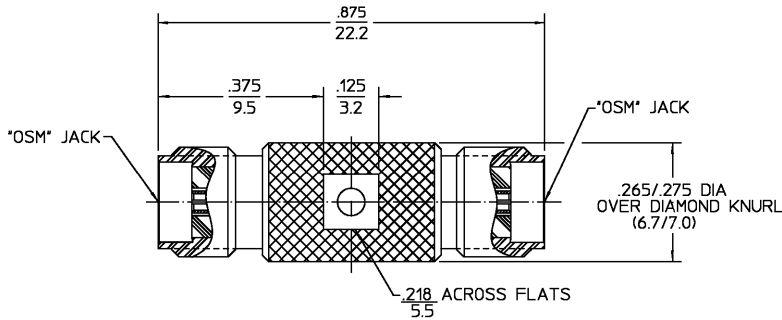



REVISIONS			
REV	DESCRIPTION	DATE	APPROVED
03 <sub>3</sub>	REDRAWN ON CAD, ECN 96-0048		<i>[Signature]</i>



HOUSING	STAINLESS STEEL PER ASTM-A484 AND ASTM-A582, TYPE 303	PASSIVATE PER QQ-P-35
DIELECTRIC	TFE FLUOROCARBON PER MIL-P-19468 AND ASTM-D-1457	N/A
CENTER CONTACT	BERYLLIUM COPPER PER ASTM-B196 ALLOY C17300, COND H	GOLD PLATE PER MIL-G-45204
COMPONENT	MATERIAL	FINISH

.XXX = in  
XX.X = mm (REF)

NOTES:  
1. CAPTURED CENTER CONTACT

UNLESS OTHERWISE SPECIFIED DIMENSIONS ARE IN INCHES	FRAC. + 1/64	DEC. +.005	ANGLES + °	DRAWN BY K. L.	DATE 11/27/11	 <b>AMP Incorporated</b> 140 Fourth Avenue Waltham, MA 02451-7599								
				CHECKED BY R. S. G.	11/17/11									
				APP'D BY R. P. B.	11/17/11									
These drawings and specifications are the property of M/A CDM Interconnect Div. and shall not be reproduced or copied or used in whole or in part as the basis for the manufacture or sale of items) without written permission.				USE ASSY PROCEDURE		TITLE "OSM" JACK TO "OSM" ADAPTER								
				NO. AP.	N/A	<table border="1"> <tr> <td>SIZE B</td> <td>CODE IDENT NO. 26805</td> <td>2080-5055-02</td> <td>REV 03<sub>3</sub></td> </tr> <tr> <td colspan="2">SCALE 5:1</td> <td colspan="2">SHEET 1 OF 1</td> </tr> </table>	SIZE B	CODE IDENT NO. 26805	2080-5055-02	REV 03 <sub>3</sub>	SCALE 5:1		SHEET 1 OF 1	
SIZE B	CODE IDENT NO. 26805	2080-5055-02	REV 03 <sub>3</sub>											
SCALE 5:1		SHEET 1 OF 1												

CUSTOMER DRAWING

AMP PART # 1053514-1  
SHEET 1 OF 1 REV A