

4

3

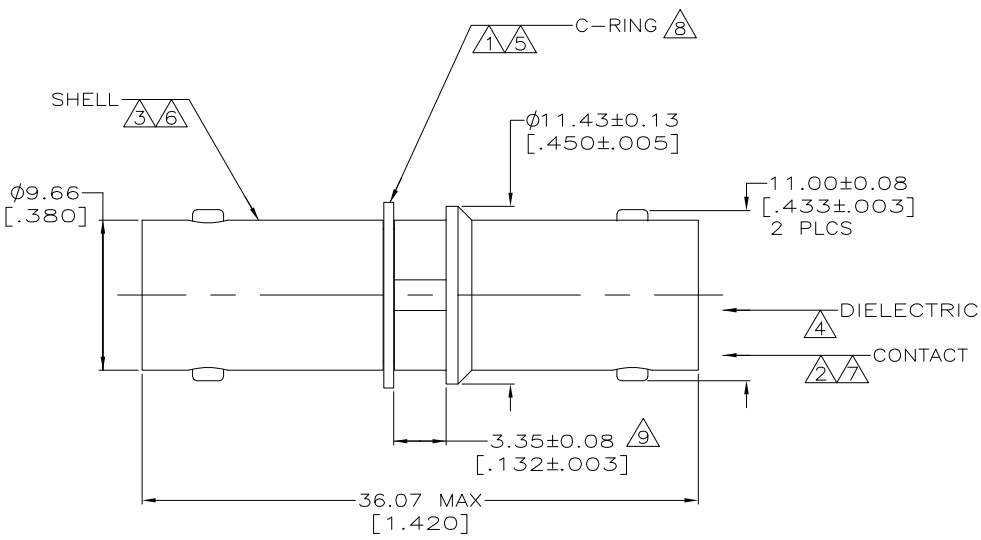
2

1

THIS DRAWING IS UNPUBLISHED. RELEASED FOR PUBLICATION
 © COPYRIGHT - BY TYCO ELECTRONICS CORPORATION. ALL RIGHTS RESERVED.

LOC	DIST	REVISIONS				
P	LTR	DESCRIPTION	DATE	DWN	APVD	
AJ	16	A	REVISED PER EC OS14-0150-05	01SEP05	BM JL	

- 1 BERYLLIUM COPPER PER ASTM-B-196
- 2 PHOSPHOR BRONZE PER QQ-B-750
- 3 ZINC PER ASTM-B-86
- 4 POLYMETHYLPENTENE: GENERAL PURPOSE
- 5 NICKEL PLATE PER QQ-N-290, 2.54µm [.000100] MIN THICKNESS
- 6 NICKEL PLATE PER QQ-N-290, 3.81µm [.000150] MIN THICKNESS
- 7 GOLD PLATE PER ASTM-B-488, 0.38µm [.000015] MIN THICKNESS
- 8 C-RING COMES UNASSEMBLED
- 9 MEASURED AT CONNECTOR BODY



5414795-1
 PART NUMBER

THIS DRAWING IS A CONTROLLED DOCUMENT.		DWN L. VARELA - DOCKS 18APR2005	Tyco Electronics Corporation Harrisburg, Pa 17105-3608	
DIMENSIONS: mm [INCHES]		CHK J. HAVENER 18APR2005	NAME JACK ADAPTER ASSEMBLY, COMMERCIAL BNC	
TOLERANCES UNLESS OTHERWISE SPECIFIED:		APVD J. LIPPERT 18APR2005	SIZE CAGE CODE DRAWING NO RESTRICTED TO	
0 PLC ± -	1 PLC ± -	PRODUCT SPEC -	A300779	C=5414795
2 PLC ± 0.05 [.002]	3 PLC ± -	APPLICATION SPEC -	SCALE 4:1 SHEET 1 OF 1 REV A	
4 PLC ± -	ANGLES ± -	WEIGHT -	CUSTOMER DRAWING	
MATERIAL SEE NOTES	FINISH SEE NOTES			

AMP 1470-19 REV 31MAR2000