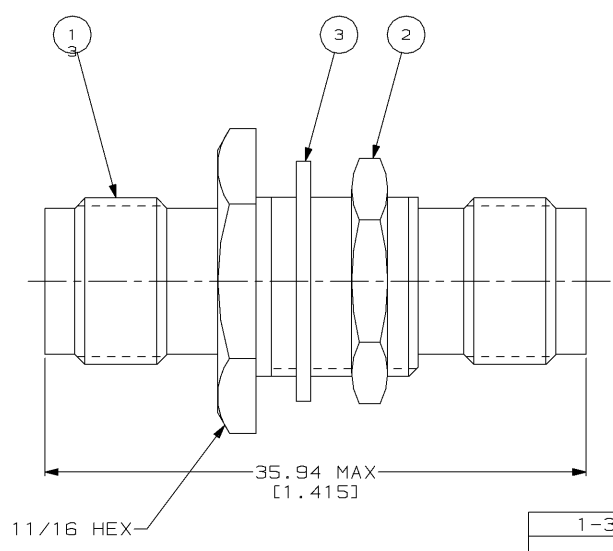
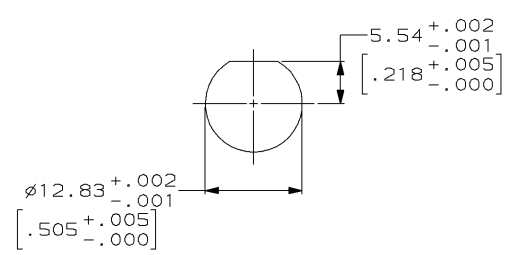


4 3  
 DRAWING MADE IN THIRD ANGLE PROJECTION  
 THIS DRAWING IS UNPUBLISHED. RELEASED FOR PUBLICATION, 19 .  
 © COPYRIGHT 19 BY AMP INCORPORATED. ALL INTERNATIONAL RIGHTS RESERVED.

LOC	DIST	REVISIONS				DATE	APPD
P	F	ZONE	LTR	DESCRIPTION			
AJ	16			0 RELEASE -1 PER 92-3140-011-001	11/OCT/93	MEC	



1. 6.35 [.250] MAX PANEL THICKNESS



RECOMMENDED PANEL CUTOUT  
 SCALE 2:1

1-329632-2	1-329631-2	414653-1	414396-1
③ LOCK WASHER QTY = 1	② JAM NUT QTY = 1	① JACK-JACK ASSEMBLY QTY = 1	PART NUMBER

THIS DRAWING IS A CONTROLLED DOCUMENT FOR AMP INCORPORATED. IT IS SUBJECT TO CHANGE AND THE CONTROLLING ENGINEERING ORGANIZATION SHOULD BE CONTACTED FOR THE LATEST REVISION.

DO NOT SCALE PRINT. UNLESS SPECIFIED DIMENSIONS IN mm (INCHES)		AMP		PART NO		
2 PLC DEC ± -	3 PLC DEC ± -	DR 11/OCT/93 M.E. COMBER	AMP Incorporated Harrisburg, PA 17105-3608	NAME		
ANGLES ± -	MATERIAL	CHK 12/OCT/93 N. PHILLIPS		JACK-JACK ADAPTOR, BHD, 75 OHM, COML TNC		
FINISH	FINISH	APPD 12/OCT/93 M.E. COMBER		SIZE	CAGE CODE	DRAWING NO
WEIGHT	WEIGHT	PRODUCT SPEC		B	00779	C=414396
		APPLICATION SPEC	SCALE	4:1	SHEET	
					1 OF 1	