

4

3

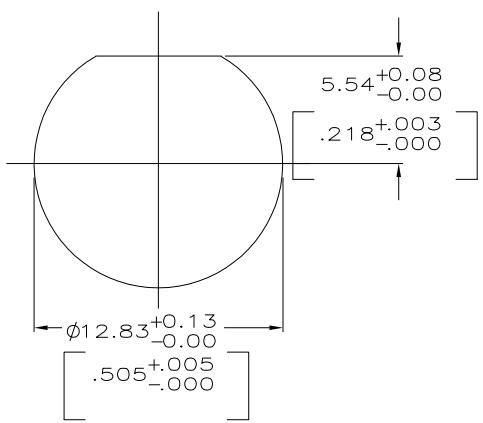
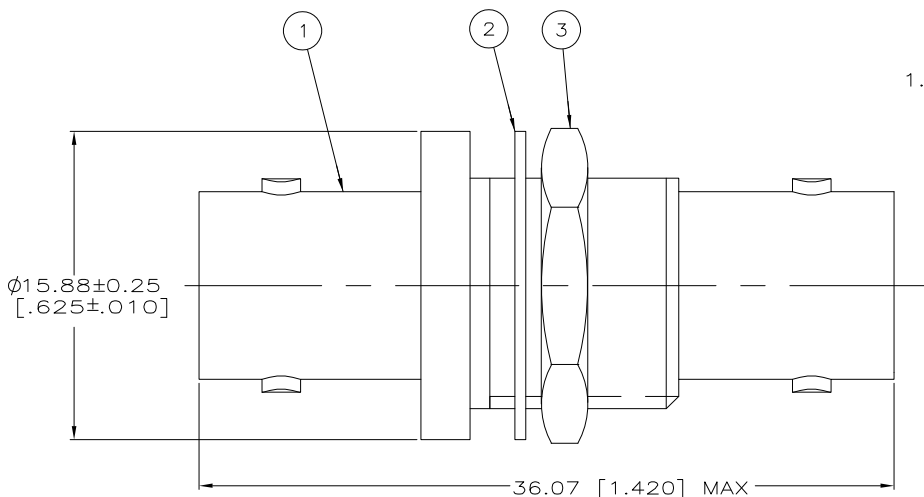
2

1

THIS DRAWING IS UNPUBLISHED. RELEASED FOR PUBLICATION
 © COPYRIGHT - BY TYCO ELECTRONICS CORPORATION. ALL RIGHTS RESERVED.

LOC	DIST	REVISIONS					
AJ	16	P	LTR	DESCRIPTION	DATE	DWN	APVD
		A		REVISED PER 0514-0150-05.	09NOV2005	REH	JL

1. PANEL THICKNESS 6.34 [.250] MAX.



RECOMMENDED PANEL CUTOUT

1-329631-2	1-329632-2	414136-1	5414105-1
③ JAM NUT QTY=1	② LOCKWASHER QTY=1	① JACK ASSY QTY=1	PART NO

THIS DRAWING IS A CONTROLLED DOCUMENT.		DWN J. HAVENER 01NOV2005	Tyco Electronics Corporation Harrisburg, PA 17105-3608	
DIMENSIONS: mm [INCHES]	TOLERANCES UNLESS OTHERWISE SPECIFIED:	CHK J. HAVENER 01NOV2005	Tyco Electronics	
0 PLC ± -	1 PLC ± -	APVD J. LIPPERT 01NOV2005	NAME JACK, ADAPTER, BULKHEAD, 50 OHM, ISOLATED, BNC	
2 PLC ± -	3 PLC ± -	PRODUCT SPEC	SIZE CAGE CODE DRAWING NO	
4 PLC ± -	ANGLES ± -	APPLICATION SPEC	A3 00779 C=5414105	
MATERIAL	FINISH	WEIGHT	RESTRICTED TO	
-	-	-		
CUSTOMER DRAWING			SCALE 5:1	SHEET 1 of 1 REV A

AMP 1470-19 REV 31MAR2000