

4

3

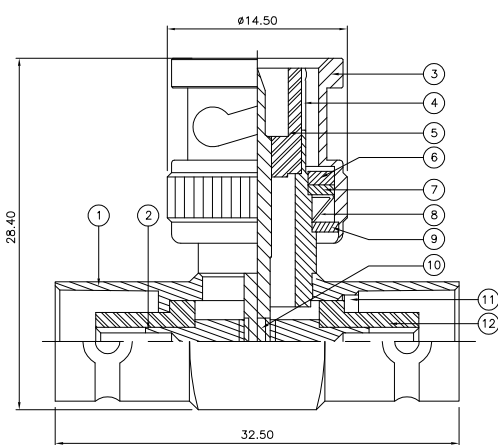
2

1

THIS DRAWING IS UNPUBLISHED. RELEASED FOR PUBLICATION DEC. 2005.  
 © COPYRIGHT 2005 BY TYCO ELECTRONICS CORPORATION. ALL RIGHTS RESERVED.

LOC	DIST	REVISIONS			
P	LTR	DESCRIPTION	DATE	DWN	APVD
C		ECR-05-017969	14DEC05	JMS	FWK

- NOTES:
- ⚠ PACK IN ACCORDANCE WITH AMP SPEC 107-3275
  - ⚠ 100 TRAY PACK IN ACCORDANCE WITH AMP SPEC 107-3275
  - ⚠ Ag PLATING
  - ⚠ THIS ITEM MUST BE WHITE
- 5 **ELECTRICAL CHARACTERISTICS**  
 FREQUENCY RANGE: DC - 4 GHz  
 NOMINAL IMPEDANCE: 50 Ohm  
 INSULATION RESISTANCE: 5000 MOhm  
 WORKING VOLTAGE: 500 Volts RMS at Sea Level  
 DIELECTRIC WITHSTAND VOLTAGE: 1500 Volts RMS Max  
 CONTACT RESISTANCE:  
 CENTRE CONTACT: 1.50 mOhm Max  
 OUTER CONTACT: 0.20 mOhm Max  
 VSWR @ xGHz: N/A  
 INSERTION LOSS xdb: N/A
- 6 **MECHANICAL CHARACTERISTICS**  
 COUPLING RETENTION FORCE: N/A  
 CABLE RETENTION FORCE: N/A  
 DURABILITY: 500 Cycles Min
- 7 **ENVIRONMENTAL CHARACTERISTICS**  
 OPERATING TEMPERATURE: -65 to +165 DegC



QTY	UNIT	MATERIAL	DESCRIPTION	ITEM
2	2	PTFE	INSULATION	12
1	1	BRASS	⚠ SLEEVE	11
1	1	BRASS	⚠ CONTACT II	10
1	1	BRASS	⚠ WASHER	9
1	1	SPRING STEEL	SPRINGER	8
1	1	BRASS	⚠ RETAINING RING	7
1	1	SILICON RUBBER	⚠ GASKET	6
1	1	PTFE	INSULATION	5
1	1	BRASS	⚠ BODY 2	4
1	1	BRASS	⚠ SHELL	3
1	1	BRASS	⚠ CONTACT I	2
1	1	BRASS	⚠ BODY 1	1
6--0	1--0	MATERIAL	DESCRIPTION	ITEM

THIS DRAWING IS A CONTROLLED DOCUMENT.		DWN J.SANDWELL 14DEC05	Tyco Electronics Corporation	
DIMENSIONS: mm		CHK S.PARLOW 14DEC05	Bideford EX39 4HE	
TOLERANCES UNLESS OTHERWISE SPECIFIED:		APVD F.WHEELER-KING 14DEC05	NAME BNC TEE ADAPTOR J-P-J 50 OHM	
0 PLC ± -		PRODUCT SPEC	SIZE CAGE CODE DRAWING NO RESTRICTED TO	
1 PLC ± -		APPLICATION SPEC	A3 00779 C=1337459	
2 PLC ± -		WEIGHT	SCALE NTS SHEET 1 OF 1 REV C	
3 PLC ± -		MATERIAL FINISH		
4 PLC ± -				
ANGLES ± -				
SEE TABLE		CUSTOMER DRAWING		