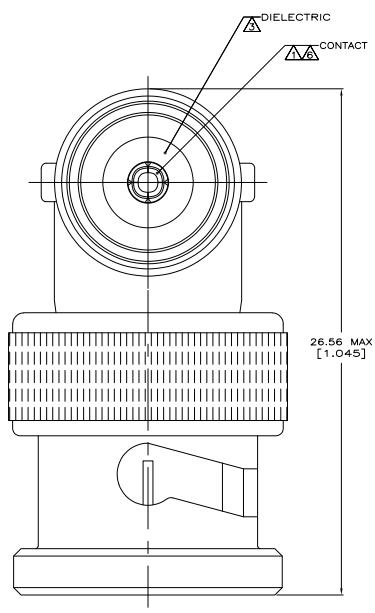
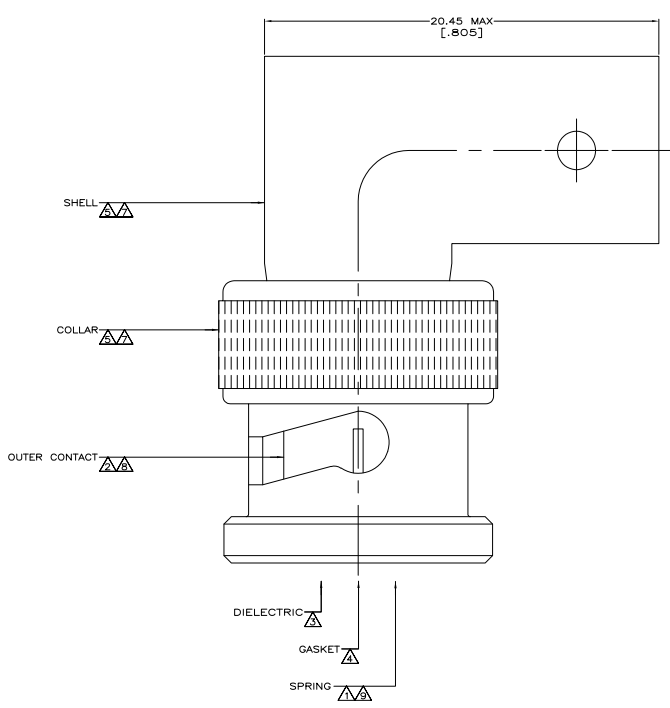


THIS DRAWING IS UNPUBLISHED. REPRODUCED FOR INFORMATION.  
 © SPURGE - BY THE ELECTRONICS CORPORATION. ALL RIGHTS RESERVED.

| REV | DATE | DESCRIPTION           | BY | APP |
|-----|------|-----------------------|----|-----|
| 00  |      |                       |    |     |
| K1  |      | REV PER ECO 06-038805 | DW | JL  |

- △ BERYLLIUM COPPER PER ASTM-B-194
- △ BRASS PER ASTM-B-16
- △ PTFE PER MIL-P-19468
- △ SILICONE RUBBER PER ZZ-R-765
- △ ZINC DIE CAST PER ASTM-B-86
- △ GOLD PLATE PER MIL-G-45204, 0.76μm [0.00030] MIN THICKNESS
- △ NICKEL PLATE PER QQ-N-290, 1.27μm [0.00050] MIN THICKNESS
- △ NICKEL PLATE PER QQ-N-290, 2.54μm [0.00100] MIN THICKNESS
- △ TIN PLATE PER ASTM-B-545, 2.54 μm [0.00100] MIN THICK.



| SUPERSEDED BY       | DATE |
|---------------------|------|
| 9-222165-1          |      |
| OBSOLETE 9-222165-0 |      |
| 222165-2            |      |
| OBSOLETE 222165-1   |      |

|  |  |  |   |   |                         |
|--|--|--|---|---|-------------------------|
| THIS DRAWING IS A CONTROLLED DOCUMENT. |  | DESIGNED BY<br>MICHAEL J. PHILLIPS<br>CHECKED BY<br>MICHAEL J. PHILLIPS<br>DRAWN BY<br>MICHAEL J. PHILLIPS<br>PART NO. | TITLED<br>PLUG-JACK ADAPTER, RIGHT ANGLE, BNC | THIS DRAWING IS A CONTROLLED DOCUMENT.<br>DATE<br>10/11<br>DRAWING NO.<br>00779<br>REV<br>0<br>PART NO.<br>222165 | PART NUMBER<br>222165-1 |
|--|--|--|---|---|-------------------------|