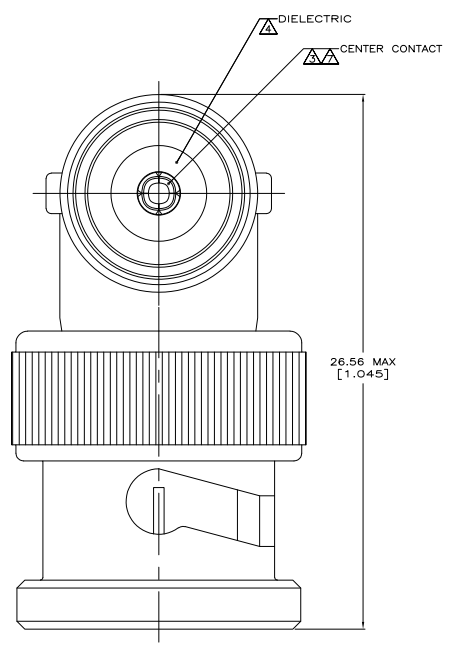
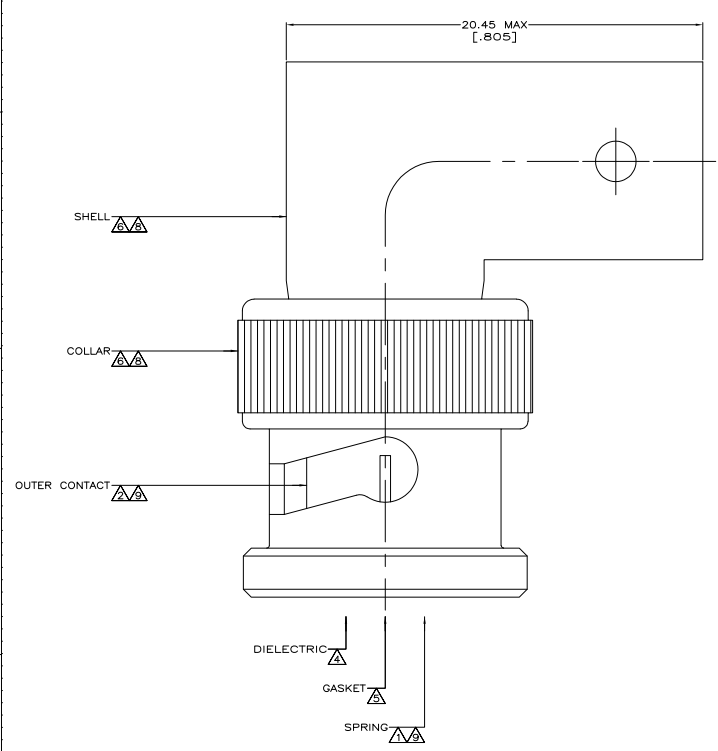


REV	DATE	DESCRIPTION	BY	CHK	APP
AJ	16				
A		REVISED PER EC 0514-0160-05			050022005[REH] JL

- ▲ CARBON STEEL
- ▲ BRASS PER ASTM-B-16
- ▲ PHOSPHOR BRONZE PER ASTM-B-139
- ▲ POLYMETHYLENE: GENERAL PURPOSE
- ▲ SILICONE RUBBER PER ZZ-R-765
- ▲ ZINC DIE CAST PER ASTM-B-86
- ▲ GOLD PLATE PER ASTM-B-488, 0.38µm [.000015] MIN THICKNESS
- ▲ NICKEL PLATE PER QQ-N-290, 1.27µm [.000050] MIN THICKNESS
- ▲ NICKEL PLATE PER QQ-N-290, 2.54µm [.000100] MIN THICKNESS



5414666-1
 PART NUMBER

THIS DRAWING IS A CONTROLLED DOCUMENT.		REV	DATE	DESCRIPTION	BY	CHK	APP
DATE	REV	DATE	DESCRIPTION	BY	CHK	APP	
05/14/14	1	05/14/14	REVISED PER EC 0514-0160-05				
05/14/14	2	05/14/14	REVISED PER EC 0514-0160-05				
05/14/14	3	05/14/14	REVISED PER EC 0514-0160-05				
05/14/14	4	05/14/14	REVISED PER EC 0514-0160-05				
05/14/14	5	05/14/14	REVISED PER EC 0514-0160-05				
05/14/14	6	05/14/14	REVISED PER EC 0514-0160-05				
05/14/14	7	05/14/14	REVISED PER EC 0514-0160-05				
05/14/14	8	05/14/14	REVISED PER EC 0514-0160-05				
05/14/14	9	05/14/14	REVISED PER EC 0514-0160-05				
05/14/14	10	05/14/14	REVISED PER EC 0514-0160-05				
05/14/14	11	05/14/14	REVISED PER EC 0514-0160-05				
05/14/14	12	05/14/14	REVISED PER EC 0514-0160-05				
05/14/14	13	05/14/14	REVISED PER EC 0514-0160-05				
05/14/14	14	05/14/14	REVISED PER EC 0514-0160-05				
05/14/14	15	05/14/14	REVISED PER EC 0514-0160-05				
05/14/14	16	05/14/14	REVISED PER EC 0514-0160-05				
05/14/14	17	05/14/14	REVISED PER EC 0514-0160-05				
05/14/14	18	05/14/14	REVISED PER EC 0514-0160-05				
05/14/14	19	05/14/14	REVISED PER EC 0514-0160-05				
05/14/14	20	05/14/14	REVISED PER EC 0514-0160-05				
05/14/14	21	05/14/14	REVISED PER EC 0514-0160-05				
05/14/14	22	05/14/14	REVISED PER EC 0514-0160-05				
05/14/14	23	05/14/14	REVISED PER EC 0514-0160-05				
05/14/14	24	05/14/14	REVISED PER EC 0514-0160-05				
05/14/14	25	05/14/14	REVISED PER EC 0514-0160-05				
05/14/14	26	05/14/14	REVISED PER EC 0514-0160-05				
05/14/14	27	05/14/14	REVISED PER EC 0514-0160-05				
05/14/14	28	05/14/14	REVISED PER EC 0514-0160-05				
05/14/14	29	05/14/14	REVISED PER EC 0514-0160-05				
05/14/14	30	05/14/14	REVISED PER EC 0514-0160-05				
05/14/14	31	05/14/14	REVISED PER EC 0514-0160-05				
05/14/14	32	05/14/14	REVISED PER EC 0514-0160-05				
05/14/14	33	05/14/14	REVISED PER EC 0514-0160-05				
05/14/14	34	05/14/14	REVISED PER EC 0514-0160-05				
05/14/14	35	05/14/14	REVISED PER EC 0514-0160-05				
05/14/14	36	05/14/14	REVISED PER EC 0514-0160-05				
05/14/14	37	05/14/14	REVISED PER EC 0514-0160-05				
05/14/14	38	05/14/14	REVISED PER EC 0514-0160-05				
05/14/14	39	05/14/14	REVISED PER EC 0514-0160-05				
05/14/14	40	05/14/14	REVISED PER EC 0514-0160-05				
05/14/14	41	05/14/14	REVISED PER EC 0514-0160-05				
05/14/14	42	05/14/14	REVISED PER EC 0514-0160-05				
05/14/14	43	05/14/14	REVISED PER EC 0514-0160-05				
05/14/14	44	05/14/14	REVISED PER EC 0514-0160-05				
05/14/14	45	05/14/14	REVISED PER EC 0514-0160-05				
05/14/14	46	05/14/14	REVISED PER EC 0514-0160-05				
05/14/14	47	05/14/14	REVISED PER EC 0514-0160-05				
05/14/14	48	05/14/14	REVISED PER EC 0514-0160-05				
05/14/14	49	05/14/14	REVISED PER EC 0514-0160-05				
05/14/14	50	05/14/14	REVISED PER EC 0514-0160-05				
05/14/14	51	05/14/14	REVISED PER EC 0514-0160-05				
05/14/14	52	05/14/14	REVISED PER EC 0514-0160-05				
05/14/14	53	05/14/14	REVISED PER EC 0514-0160-05				
05/14/14	54	05/14/14	REVISED PER EC 0514-0160-05				
05/14/14	55	05/14/14	REVISED PER EC 0514-0160-05				
05/14/14	56	05/14/14	REVISED PER EC 0514-0160-05				
05/14/14	57	05/14/14	REVISED PER EC 0514-0160-05				
05/14/14	58	05/14/14	REVISED PER EC 0514-0160-05				
05/14/14	59	05/14/14	REVISED PER EC 0514-0160-05				
05/14/14	60	05/14/14	REVISED PER EC 0514-0160-05				
05/14/14	61	05/14/14	REVISED PER EC 0514-0160-05				
05/14/14	62	05/14/14	REVISED PER EC 0514-0160-05				
05/14/14	63	05/14/14	REVISED PER EC 0514-0160-05				
05/14/14	64	05/14/14	REVISED PER EC 0514-0160-05				
05/14/14	65	05/14/14	REVISED PER EC 0514-0160-05				
05/14/14	66	05/14/14	REVISED PER EC 0514-0160-05				
05/14/14	67	05/14/14	REVISED PER EC 0514-0160-05				
05/14/14	68	05/14/14	REVISED PER EC 0514-0160-05				
05/14/14	69	05/14/14	REVISED PER EC 0514-0160-05				
05/14/14	70	05/14/14	REVISED PER EC 0514-0160-05				
05/14/14	71	05/14/14	REVISED PER EC 0514-0160-05				
05/14/14	72	05/14/14	REVISED PER EC 0514-0160-05				
05/14/14	73	05/14/14	REVISED PER EC 0514-0160-05				
05/14/14	74	05/14/14	REVISED PER EC 0514-0160-05				
05/14/14	75	05/14/14	REVISED PER EC 0514-0160-05				
05/14/14	76	05/14/14	REVISED PER EC 0514-0160-05				
05/14/14	77	05/14/14	REVISED PER EC 0514-0160-05				
05/14/14	78	05/14/14	REVISED PER EC 0514-0160-05				
05/14/14	79	05/14/14	REVISED PER EC 0514-0160-05				
05/14/14	80	05/14/14	REVISED PER EC 0514-0160-05				
05/14/14	81	05/14/14	REVISED PER EC 0514-0160-05				
05/14/14	82	05/14/14	REVISED PER EC 0514-0160-05				
05/14/14	83	05/14/14	REVISED PER EC 0514-0160-05				
05/14/14	84	05/14/14	REVISED PER EC 0514-0160-05				
05/14/14	85	05/14/14	REVISED PER EC 0514-0160-05				
05/14/14	86	05/14/14	REVISED PER EC 0514-0160-05				
05/14/14	87	05/14/14	REVISED PER EC 0514-0160-05				
05/14/14	88	05/14/14	REVISED PER EC 0514-0160-05				
05/14/14	89	05/14/14	REVISED PER EC 0514-0160-05				
05/14/14	90	05/14/14	REVISED PER EC 0514-0160-05				
05/14/14	91	05/14/14	REVISED PER EC 0514-0160-05				
05/14/14	92	05/14/14	REVISED PER EC 0514-0160-05				
05/14/14	93	05/14/14	REVISED PER EC 0514-0160-05				
05/14/14	94	05/14/14	REVISED PER EC 0514-0160-05				
05/14/14	95	05/14/14	REVISED PER EC 0514-0160-05				
05/14/14	96	05/14/14	REVISED PER EC 0514-0160-05				
05/14/14	97	05/14/14	REVISED PER EC 0514-0160-05				
05/14/14	98	05/14/14	REVISED PER EC 0514-0160-05				
05/14/14	99	05/14/14	REVISED PER EC 0514-0160-05				
05/14/14	100	05/14/14	REVISED PER EC 0514-0160-05				