

4

3

2

1

THIS DRAWING IS UNPUBLISHED. RELEASED FOR PUBLICATION DEC .2005.  
 © COPYRIGHT 2005 BY TYCO ELECTRONICS CORPORATION. ALL RIGHTS RESERVED.

LOC		DIST		REVISIONS			
P	LTR	DESCRIPTION		DATE	DWN	APVD	
D		ECR-06-024212		12OCT2006	JMS	FWK	

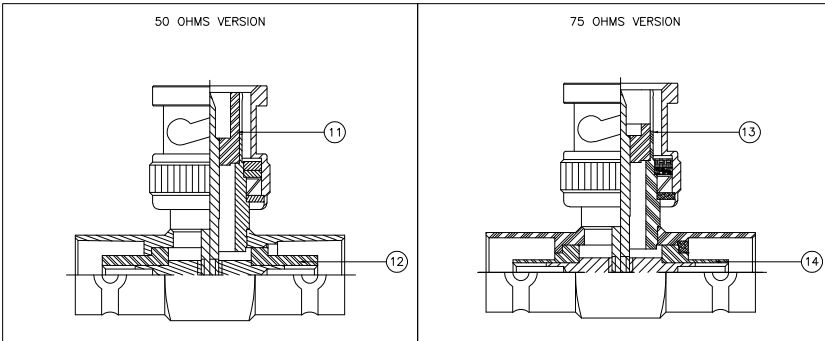
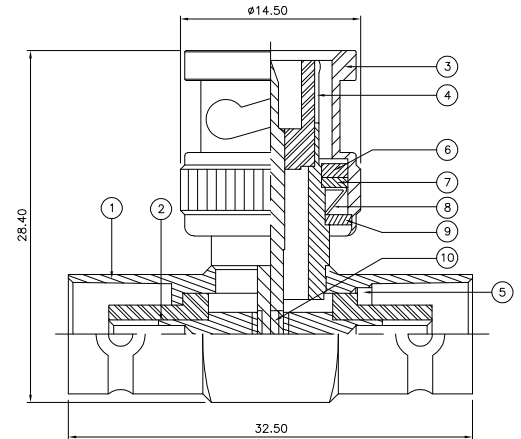
NOTES:

- ⚠ PACK IN ACCORDANCE WITH AMP SPEC 107-3275
- ⚠ 100 TRAY PACK IN ACCORDANCE WITH AMP SPEC 107-3275
- ⚠ Au PLATING
- ⚠ Ni PLATING
- ⚠ THIS ITEM MUST BE WHITE

6 ELECTRICAL CHARACTERISTICS	
FREQUENCY RANGE (50 Ohms):	DC - 4 GHz
FREQUENCY RANGE (75 Ohms):	DC - 2 GHz
NOMINAL IMPEDANCE:	50 Ohm or 75 Ohm
INSULATION RESISTANCE:	5000 MOhm
WORKING VOLTAGE:	500 Volts RMS at Sea Level
DIELECTRIC WITHSTAND VOLTAGE:	1500 Volts RMS Max
CONTACT RESISTANCE:	
CENTRE CONTACT:	1.50 mOhm Max
OUTER CONTACT:	0.20 mOhm Max
VSWR @ xGHz:	N/A
INSERTION LOSS xdb:	N/A

7 MECHANICAL CHARACTERISTICS	
COUPLING RETENTION FORCE:	445N Min
CABLE RETENTION FORCE:	N/A
DURABILITY:	500 Cycles Min

8 ENVIRONMENTAL CHARACTERISTICS	
OPERATING TEMPERATURE:	-65 to +165 DegC



QTY	QTY PER ASSY	MATERIAL	DESCRIPTION	ITEM		
2	2	PTFE	INSULATION	14		
1	1	PTFE	INSULATION	13		
-	-	2	PTFE	INSULATION	12	
-	-	1	PTFE	INSULATION	11	
1	1	1	BRASS	CONTACT II	10	
1	1	1	BRASS	WASHER	9	
1	1	1	1	SPRING STEEL	8	
1	1	1	1	BRASS	RETAINING RING	7
1	1	1	1	SILICON RUBBER	GASKET	6
1	1	1	1	BRASS	SLEEVE	5
1	1	1	1	BRASS	BODY 2	4
1	1	1	1	BRASS	SHELL	3
1	1	1	1	BRASS	CONTACT I	2
1	1	1	1	BRASS	BODY 1	1

THIS DRAWING IS A CONTROLLED DOCUMENT.

DIMENSIONS: mm	TOLERANCES UNLESS OTHERWISE SPECIFIED:	DWN J.SANDWELL 14DEC05	Tyco Electronics Corporation Bideford EX39 4HE
	0 PLC ± -	CHK S.PARLOW 14DEC05	
	1 PLC ± -	APVD F.WHEELER-KING 14DEC05	
	2 PLC ± -	PRODUCT SPEC	
MATERIAL	FINISH	WEIGHT	NAME: BNC TEE ADAPTOR J-P-J 50 OHM AND 75 OHM VERSIONS SIZE: A3 CAGE CODE: 00779 DRAWING NO: 1337458 RESTRICTED TO:

SEE TABLE

CUSTOMER DRAWING SCALE: NTS SHEET 1 OF 1 REV D