

© 1964 BY AMP INCORPORATED. ALL RIGHTS RESERVED. AMP PRODUCTS COVERED BY PATENTS AND/OR PATENTS PENDING. APPROVED PER GOVT CONTRACT NO.

REVISIONS				
ZONE	LTR	DESCRIPTION	DATE	APPROVED
N	REV PER	ECO-08-006296	PY	07-08 BW

SERIES "G" CONNECTORS AND SHIELD SHOWN FOR REFERENCE ONLY.

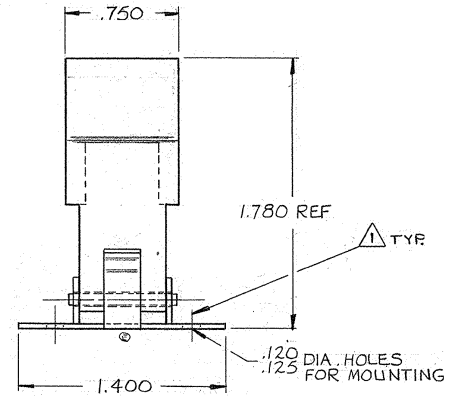
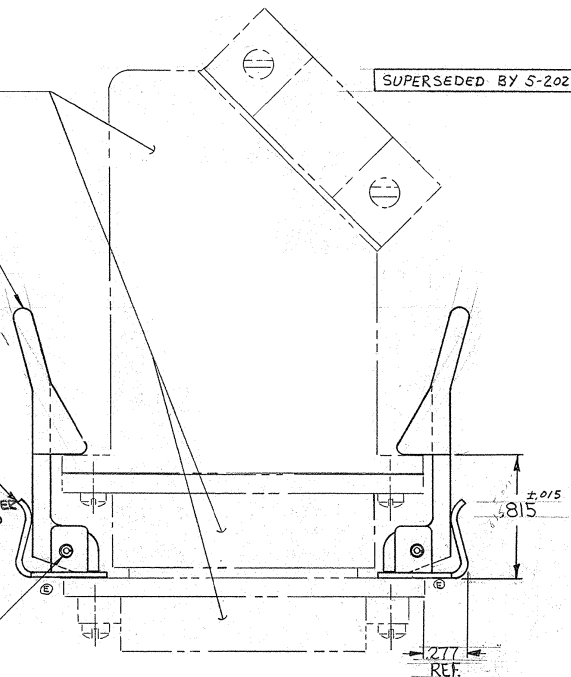
SUPERSEDED BY 5-202832-2

- 202832 -1 1. AS SHOWN
2. WITHOUT MOUNTING HARDWARE
- 202832 -2 1. SAME AS -1 EXCEPT
2. WITH MOUNTING HARDWARE \triangle
- 202832 -3 1. SAME AS -1 EXCEPT:
2. CONSIST OF ONE LOCKING LATCH ASSY WITHOUT MOUNTING HARDWARE.
- 5-202832-1 1. SAME AS -1 EXCEPT-
ROHS COMPLIANT RC
- 5-202832-2 1. SAME AS -1 EXCEPT-
WITH MOUNTING HARDWARE \triangle

LOCKING LATCH
MAT'L: ZINC DIE CAST
PER QQ-E-363

SPRING CATCH PLATE
MAT'L: CARBON STEEL PER
QQ-S-700
FINISH: PLATED NICKEL PER
QQ-N-290 OVER COPPER
FLASH PER MIL-C-14550

ROLL PIN (.094 DIA.)
MAT'L: CARBON STEEL
FINISH: PLATED ZINC



- \triangle MOUNTING HARDWARE: WASHER (PASSIVATED STAINLESS STEEL) #4-40 HEX NUT (ZINC PLATED CARBON STEEL) #4-40 FILLISTER HD SCREW (ZINC PLATED CARBON STEEL w/ SUPPLEMENTARY CHROME FINISH)
- 2. TWO LOCKING LATCH ASSEMBLIES ARE INCLUDED WITH -1, -2 & 5-2.
- 3. ALL LOCKING LATCHES MUST BE USED IN CONJUNCTION WITH A SHIELD AS SHOWN.
- 4. NOT TO BE USED WITH FLOATING BUSHINGS.
- \triangle MOUNTING HARDWARE: #4-40 FILLISTER SCREW, WASHER AND #4-40 HEX NUT- STAINLESS STEEL; PASSIVATED

AMP INFO LOC: R331 PRINT/DIST: R331	QTY: REGRD	NOMENCLATURE OR DESCRIPTION	PART OR IDENTIFYING NO.	CONTRACT NO.	AMP INCORPORATED HARRISBURG, PENNSYLVANIA
OTHER UNLESS SPECIFIED DIMENSIONS ARE IN INCHES FRACTIONS DECIMALS ANGLES = .005 =		DR: R. Jones	DATE: 7/9/65	NAME: AMP	SERIES G LOCKING LATCH ASSEMBLY
MATERIAL: SEE CALLOUTS		CHK: R.S. Guida	DATE: 9/1/65	TRADEMARK	
HEAT TREAT: / /		DESIGN ENGR: J. J. Billilane	DATE: 9-13-65	SIZE: C	CODE IDENT NO: 00779
FINISH: SEE CALLOUTS		APP: P. B. Miller	DATE: 9-28-65	NUMBER: 202832	REV: N
		DSGN APPD:	OTHER APPD:	SCALE: 2-1	WT: CALC: ACTUAL: SHEET: