

4

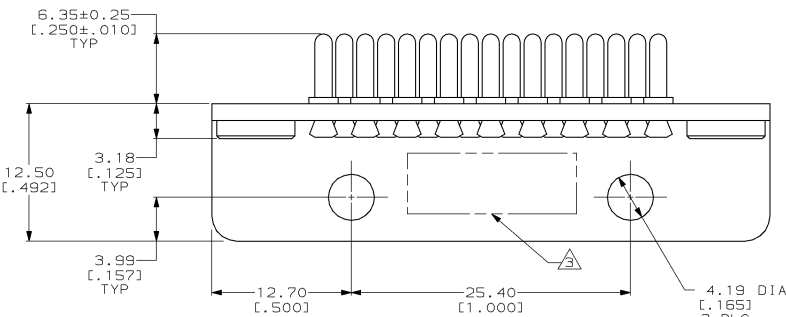
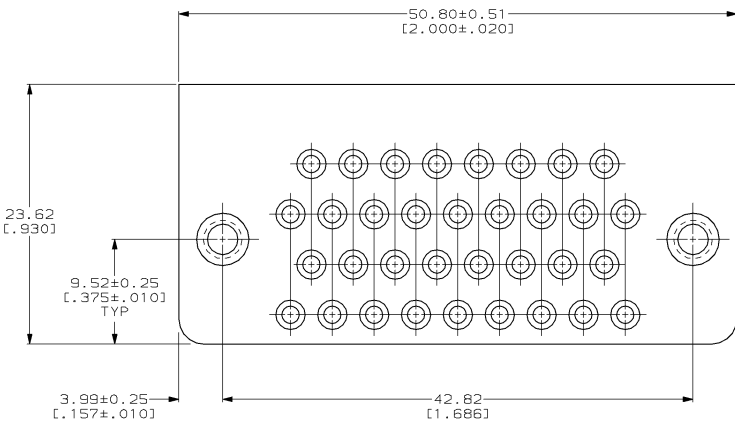
3

2

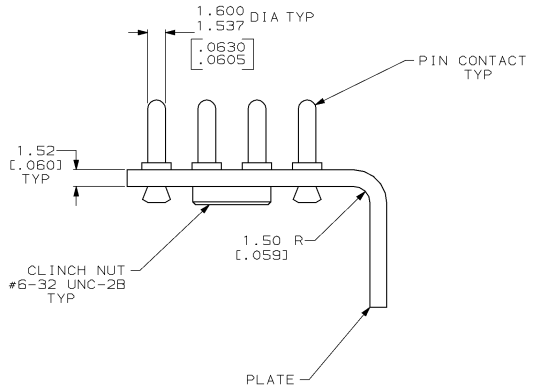
1

THIS DRAWING IS UNPUBLISHED. RELEASED FOR PUBLICATION
 © COPYRIGHT 19 BY AMP INCORPORATED. ALL RIGHTS RESERVED.

REVISES		DATE	BY	APP'D
FT	8			
F	LWR			
B		06 AUG 96		



- ⚠ PIN CONTACT, BRONZE
PLATE, BRASS
CLINCH NUT, STAINLESS STEEL
- ⚠ PIN CONTACT, 0.76µm [0.00030] MIN GOLD OVER
1.27µm [0.00050] MIN NICKEL.
PLATE, 3.81µm [0.00150] MIN TIN OVER
1.27µm [0.00050] MIN NICKEL.
CLINCH NUT, PASSIVATED
- ⚠ AMP, PART NO & DATE CODE STAMPED IN
THIS AREA ON OPPOSITE SIDE.



204814-1
PART NUMBER

THIS DRAWING IS A CONTROLLED DOCUMENT.		DN: S. CARBO 06 AUG 96	AMP Incorporated Harrisburg, PA 17105-3608
		CHK: S. STONE 09 AUG 96	
DIMENSIONS: mm (INCHES)		DR: S. STEINHAUER 22 AUG 96	AMP GROUNDING CONNECTOR ASSEMBLY, 34 POSITION, M SERIES
TOLERANCES UNLESS SPECIFIED:		APPRO: S. STEINHAUER 22 AUG 96	
Ø	Ø PLC ±.01	PRODUCT SPEC	SIZE: A2
Ø	Ø PLC ±.013 (1.005)	APPLICATION SPEC	DATE CODE: 00779
Ø	Ø PLC ±.01	WEIGHT	DRAWING NO: C-204814
Ø	Ø PLC ±.01	FINISH	SCALE: 4:1
Ø	Ø PLC ±.01	ANGLES	SHEET: 1 OF 1
MATERIAL: ⚠	FINISH: ⚠	CUSTOMER DRAWING	REV: B

204814

A