

4

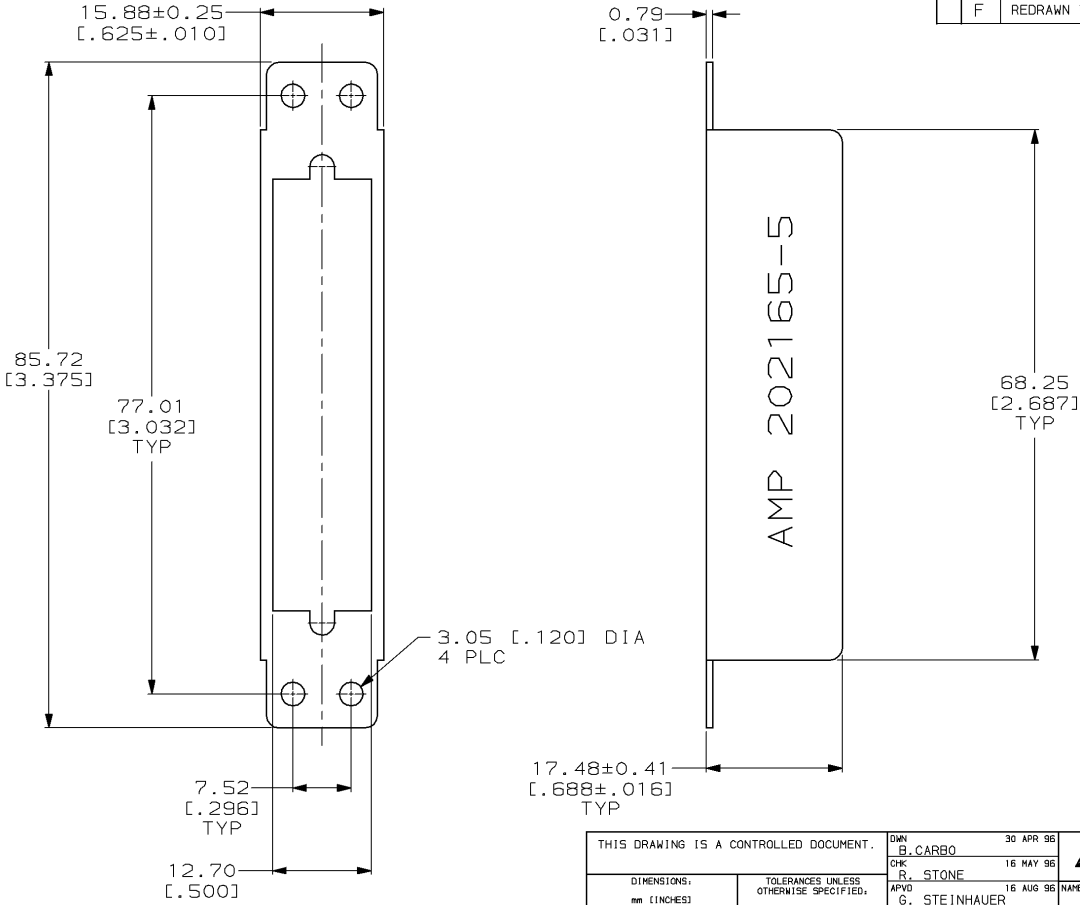
3

2

1

THIS DRAWING IS UNPUBLISHED. RELEASED FOR PUBLICATION  
 BY AMP INCORPORATED. ALL RIGHTS RESERVED.

REVISONS		DATE	DWN	APVD
FT	8			
P	LTR	DESCRIPTION		
F		REDRAWN W/O CHANGE PER EC 0020-292-96	30 APR 96	BC GS



202165-5
PART NUMBER

THIS DRAWING IS A CONTROLLED DOCUMENT.		DWN	30 APR 96	<b>AMP</b> AMP Incorporated Harrisburg, PA 17105-3608
DIMENSIONS: mm [INCHES]		CHK	16 MAY 96	
TOLERANCES UNLESS OTHERWISE SPECIFIED:		R. STONE	16 MAY 96	NAME G. STEINHAUER
0 PLC ±-		APVD	16 AUG 96	
1 PLC ±-		PRODUCT SPEC		PIN HOOD, 41 POSITION, EXTERNAL, M SERIES
2 PLC ±-.13 [ .005 ]		APPLICATION SPEC		
3 PLC ±-		WEIGHT		SIZE
4 PLC ±-		A3		CAGE CODE
ANGLES ±-		00779		DRAWING NO
MATERIAL	CARBON STEEL	FINISH		SCALE
		5.08 μm [ .000200 ] MIN NICKEL PER QQ-N-290		2:1
CUSTOMER DRAWING		SHEET		REV
		1 OF 1		F