

4

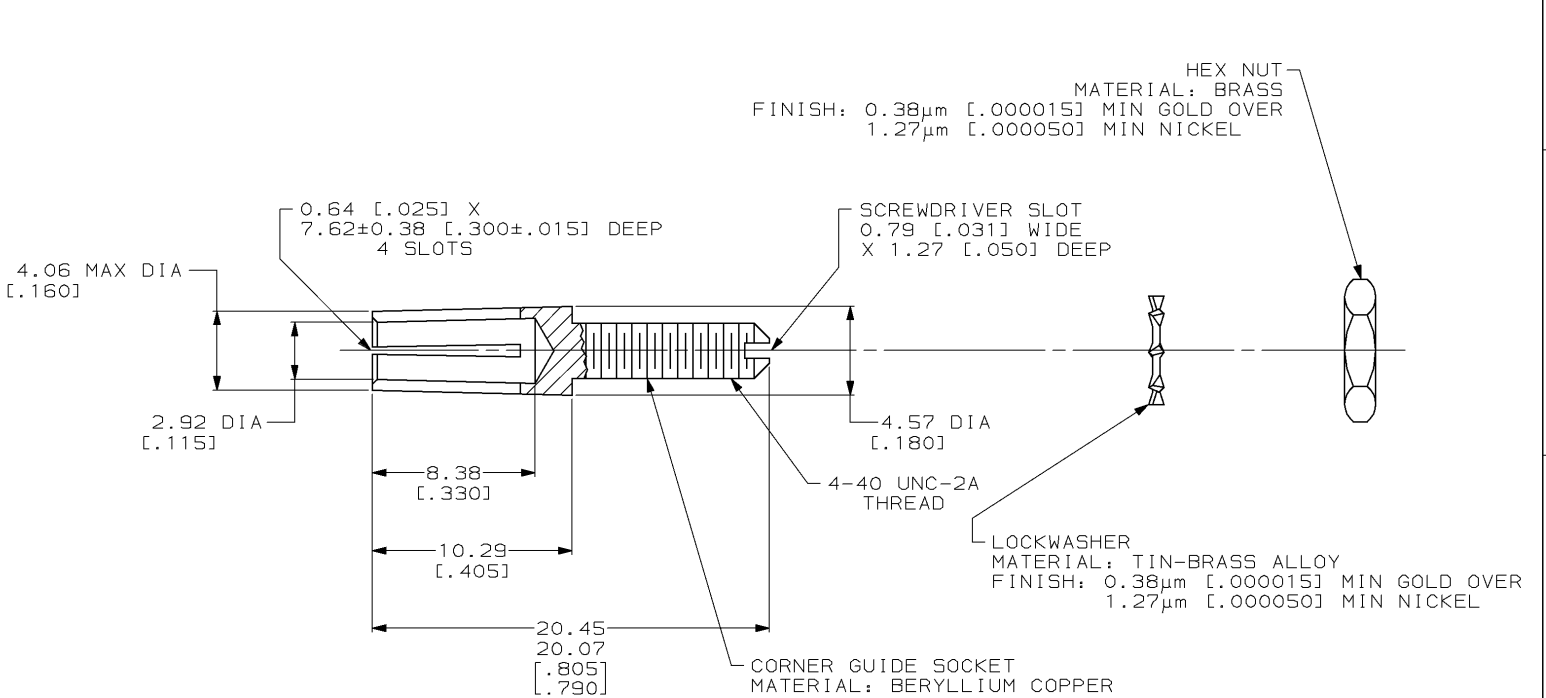
3

2

1

THIS DRAWING IS UNPUBLISHED. RELEASED FOR PUBLICATION
 BY AMP INCORPORATED. ALL RIGHTS RESERVED.

| LOC | QTY | REVISIONS | | | |
|-----|-----|-------------|----------------------------|-----------|------|
| P | LTR | DESCRIPTION | DATE | DWN | APVD |
| BD | 36 | F | REDRAWN PER EC 0020-930-95 | 20 SEP 95 | - |



202512-1
 PART NUMBER

| | | | |
|--|---|---|---|
| <small>THIS DRAWING IS A CONTROLLED DOCUMENT FOR AMP INCORPORATED. IT IS SUBJECT TO CHANGE AND THE CONTROLLING ENGINEERING ORGANIZATION SHOULD BE CONTACTED FOR THE LATEST REVISION.</small> | | DWN 20 SEP 95 C. DORWART CHK 25 SEP 95 R. STONE APVD 04 OCT 95 G. STEINHAUER | AMP Incorporated Harrisburg, PA 17105-3608 |
| DIMENSIONS: mm [INCHES] | TOLERANCES UNLESS OTHERWISE SPECIFIED: 0 P.L.C ±- 1 P.L.C ±- 2 P.L.C ±0.13 [.005] 3 P.L.C ±- 4 P.L.C ±- ANGLES ±- FINISH | PRODUCT SPEC APPLICATION SPEC WEIGHT - CUSTOMER DRAWING | CORNER GUIDE SOCKET ASSEMBLY, UNASSEMBLED, M SERIES SIZE A3 CAGE CODE 00779 DRAWINGS NO. ©-202512 SCALE 5:1 SHEET 1 OF 1 REV F |