

4

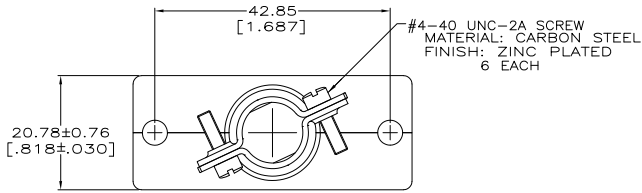
3

2

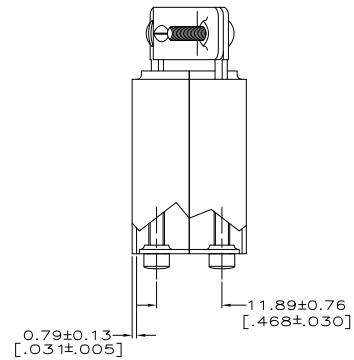
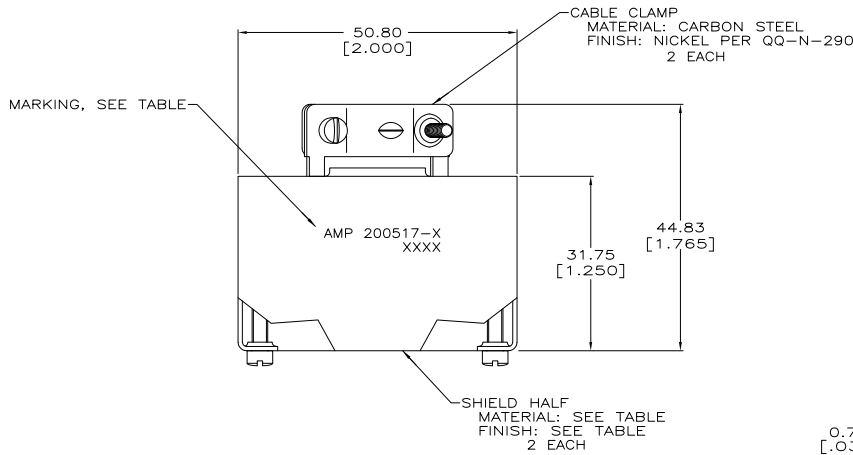
1

THIS DRAWING IS UNPUBLISHED. RELEASED FOR PUBLICATION
 © COPYRIGHT BY TYCO ELECTRONICS CORPORATION. ALL RIGHTS RESERVED.

LOC		DIST		REVISIONS			
F	LR	DESCRIPTION	DATE	BY	APP		
AC1		REVISED PER ECO-06-5544	3/14/06	SS	GS		
AC2		REVISED PER ECO-09-021826	11JAN10	KK	AEG		



- ⚠ AMP, PART NUMBER AND DATE CODE, INK STAMPED ON (1) OR BOTH SIDES.
- ⚠ HEXAVALENT CHROMATE COATING.
- ⚠ NON-HEXAVALENT CHROMATE COATING.
- ⚠ OBSOLETE PARTS: OBSOLETE CIS STREAMLINING PER D.RENAUD/D.SINISI



⚠ OBSOLETE	⚠	11.05-13.84 [.435-.545]	⚠	NICKEL PER QQ-N-290	CARBON STEEL	200517-9
⚠ OBSOLETE	⚠	7.62-11.43 [.300-.450]	⚠	NICKEL PER QQ-N-290	CARBON STEEL	200517-8
⚠ OBSOLETE	⚠	11.05-13.84 [.435-.545]	⚠	CLEAR ANODIZED	ALUMINUM ALLOY	200517-7
⚠	⚠	11.05-13.84 [.435-.545]	⚠	NICKEL PER QQ-N-290	CARBON STEEL	200517-2
⚠	⚠	11.05-13.84 [.435-.545]	⚠	CLEAR ANODIZED	ALUMINUM ALLOY	200517-1
NOTES		CABLE RANGE DIA	MARKING	FINISH	MATERIAL	PART NUMBER

THIS DRAWING IS A CONTROLLED DOCUMENT.		DRW K.FOLTZ 01/23/95	Tyco Electronics Corporation Harrisburg, PA 17105-3608	
DIMENSIONS: mm [INCHES]		CHK B. STONE 01/24/95	Tyco Electronics	
TOLERANCES UNLESS OTHERWISE SPECIFIED:		APPD -	NAME	
0 PLG ± .005		PRODUCT SPEC -	SHIELD KIT, UNASSEMBLED, SHORT, 34 POSITION, M SERIES	
1 PLG ± .005		APPLICATION SPEC -	SIZE CASE CODE DRAWING NO	
2 PLG ± .005		WEIGHT -	A2 00779 C=200517	
3 PLG ± .005			RESTRICTED TO	
4 PLG ± .005			CUSTOMER DRAWING	
MATERIAL SEE CALLOUTS			SCALE 2:1 SHEET 1 of 1 REV AC2	
FINISH SEE CALLOUTS				

AMP 1471-9 REV 31MMR2000

14MAR06 12:32pm us044809 H:\dm_mod\200517_1-c.dwg