

4

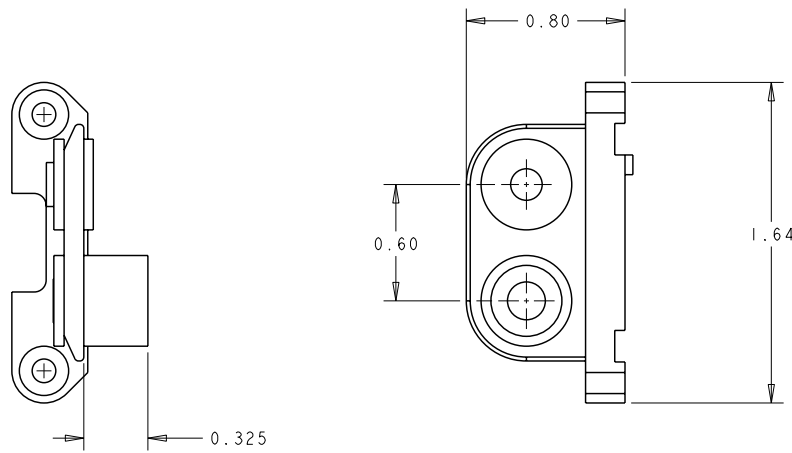
3

2

1

THIS DRAWING IS UNPUBLISHED. RELEASED FOR PUBLICATION 20
 © COPYRIGHT 20 BY TYCO ELECTRONICS CORPORATION. ALL RIGHTS RESERVED.

LOC		DIST		REVISIONS			
P	LTR	DESCRIPTION		DATE	DWN	APVD	
A		NEW RELEASE		24OCT2008	CR	DO	



- PART NUMBER CHANGES AND/OR DESIGN CHANGES AFFECTING INTERCHANGEABILITY REQUIRE PRIOR TYCO ELECTRONICS APPROVAL AND AUTHORIZATION BY REVISION TO THIS DRAWING
- ITEMS PROVIDED TO THIS SPECIFICATION TO BE PERMANENTLY IDENTIFIED PER THE FOLLOWING IDENTIFIER LABEL

TYCO ELECTRONICS P/N: XXXXXXXX-X
 DATE CODE (e.g. 0106): YEAR WEEK
 XXXX

AS SHOWN	6648254-1
DESCRIPTION	PART NO.

<small>THIS DRAWING IS A CONTROLLED DOCUMENT FOR TYCO ELECTRONICS CORPORATION AND IS SUBJECT TO CHANGE. THE CONTROLLING ENGINEERING ORGANIZATION SHOULD BE CONTACTED FOR THE LATEST REVISION.</small>		DWN: 24OCT2008 C. ROHLER CHG: 24OCT2008 D. ORRIS APVD: 24OCT2008 M. PERCHERKE	Tyco Electronics Harrisburg, PA 17105-3608
DIMENSIONS: INCHES 	TOLERANCES UNLESS OTHERWISE SPECIFIED: 0 PLC ± 1 PLC ± 2 PLC ±.02 3 PLC ±.010 4 PLC ± ANGLES ±.5	NAME: END CAP, FLOAT MOUNT GUIDE BUSHING, MODULE L DOMINO PRODUCT SPEC: APPLICATION SPEC: WEIGHT:	SIZE: A3 CAGE CODE: 00779 DRAWING NO: 6648254 RESTRICTED TO:
MATERIAL: -	FINISH: -	CUSTOMER DRAWING	SCALE: 2:1 SHEET: 1 OF 1 REV: A

ELCON **DOMINO**

AMP 1470-19 REV 31MAR2000
 Pro/ENGINEER DRAWING