

4

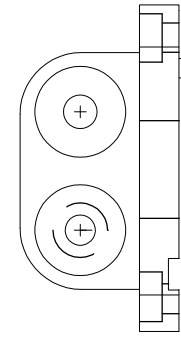
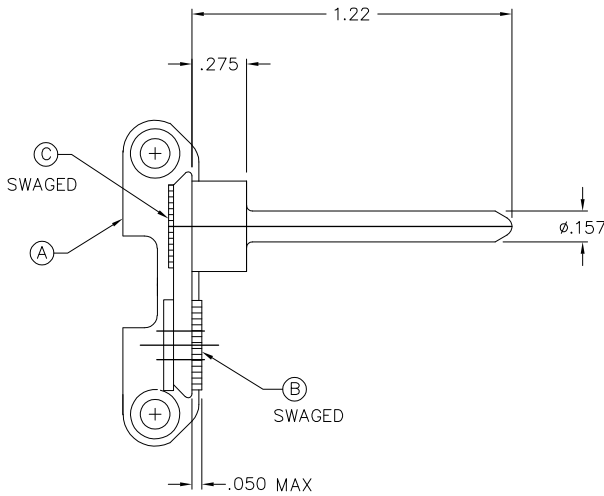
3

2

1

THIS DRAWING IS UNPUBLISHED. RELEASED FOR PUBLICATION  
 © COPYRIGHT - BY TYCO ELECTRONICS CORPORATION. ALL RIGHTS RESERVED.

LOC	DIST	REVISIONS				
P	LTR	DESCRIPTION	DATE	DWN	APVD	
GP	00	A	NEW RELEASE	13APR07	RG DO	



1. PART NUMBER CHANGES AND/OR DESIGN CHANGES AFFECTING ITEM INTERCHANGEABILITY REQUIRE PRIOR TYCO APPROVAL AND AUTHORIZATION BY REVISION TO THIS DRAWING.

2. ITEMS PROVIDED TO THIS SPECIFICATION TO BE PERMANENTLY IDENTIFIED PER THE FOLLOWING IDENTIFIER:

YEAR | WEEK

TYCO PART NUMBER  
 XXXXXXX-X

DATE CODE (e.g. 0212)  
 XXXX

THIS DRAWING IS A CONTROLLED DOCUMENT.

DIMENSIONS:	TOLERANCES UNLESS OTHERWISE SPECIFIED:
INCHES	
0 PLC	± .
1 PLC	± .
2 PLC	± .01
3 PLC	± .005
4 PLC	± .
ANGLES	± .5
MATERIAL	FINISH
-	-

1	1766832-1	GUIDE PIN, END CAP, ZINC PLATED	C
1	1766838-1	COLLAR, FIXED, END CAP, ZINC PLATED	B
1	1766830-1	END CAP, PANEL MOUNT, FLOAT	A
-1	PART NO.	DESCRIPTION	ITEM

DWN	R.GRZYBOWSKI	13APR07	Tyco Electronics Corporation	
CHK	D.ORRIS	13APR07	Harrisburg, PA 17105-3608	
APVD	S.FLICKINGER	13APR07	NAME	
PRODUCT SPEC	END CAP, FIXED MOUNT, GUIDE PIN			
APPLICATION SPEC	NON L MODULE			
WEIGHT	DOMINO			RESTRICTED TO
SIZE	A3	CAGE CODE	00779	DRAWING NO
WEIGHT	C=6648259			RESTRICTED TO
CUSTOMER DRAWING			SCALE	2:1
			SHEET	1 OF 1
			REV	A