

4

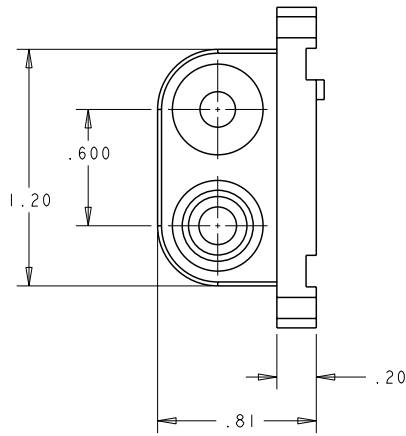
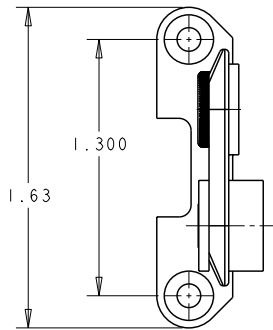
3

2

1

THIS DRAWING IS UNPUBLISHED. RELEASED FOR PUBLICATION 20
COPYRIGHT 20 BY TYCO ELECTRONICS CORPORATION. ALL RIGHTS RESERVED.

LOC		DIST		REVISIONS			
P	LTR	DESCRIPTION	DATE	DWN	APVD		
A		NEW RELEASE	14DEC2007	RG	DO		



- PART NUMBER CHANGES AND/OR DESIGN CHANGES AFFECTING ITEM INTERCHANGEABILITY REQUIRE PRIOR TYCO ELECTRONICS APPROVAL AND AUTHORIZATION BY REVISION TO THIS DRAWING.
- ITEMS PROVIDED TO THIS SPECIFICATION TO BE PERMANENTLY IDENTIFIED ON THE CONTAINER PER THE FOLLOWING IDENTIFIER:

TYCO ELECTRONICS P/N
XXXXXXX-X

YEAR 1 WEEK 1
DATE CODE (e.g. 0212)
XXXX

AS SHOWN	6648263-1
DESCRIPTION	PART NO.

<small>THIS DRAWING IS A CONTROLLED DOCUMENT FOR TYCO ELECTRONICS CORPORATION AND IS SUBJECT TO CHANGE. THE CONTROLLING ENGINEERING ORGANIZATION SHOULD BE CONTACTED FOR THE LATEST REVISION.</small>		DWN 14DEC2007 R. GRZYBOWSKI CHN 14DEC2007 D. ORRIS APVD 14DEC2007 S. FLICKINGER	Tyco Electronics Tyco Electronics Harrisburg, PA 17105-3608
DIMENSIONS: INCHES 	TOLERANCES UNLESS OTHERWISE SPECIFIED: 0 PLC ± 1 PLC ± 2 PLC ±.01 3 PLC ±.005 4 PLC ± ANGLES ±	NAME END CAP, FLOAT MOUNT BUSING GUIDE DOMINO	RESTRICTED TO
MATERIAL	FINISH	WEIGHT -	SIZE CAGE CODE DRAWING NO A3 00779 C-6648263
ELCON DOMINO		CUSTOMER DRAWING	
		SCALE 2:1	SHEET 1 OF 1 REV A

AMP 1470-19 REV 31MAR2000
Pro/ENGINEER DRAWING