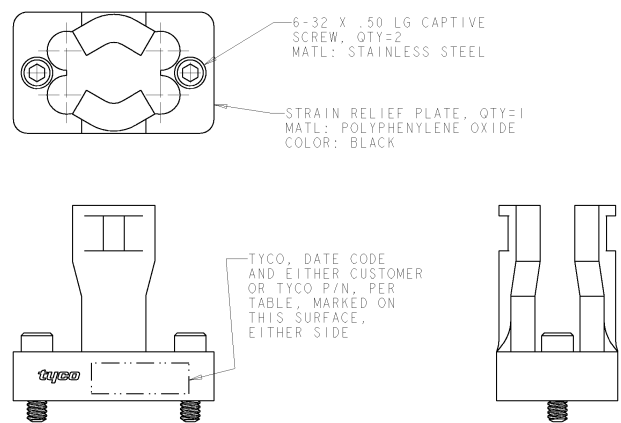
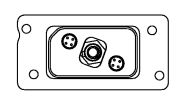
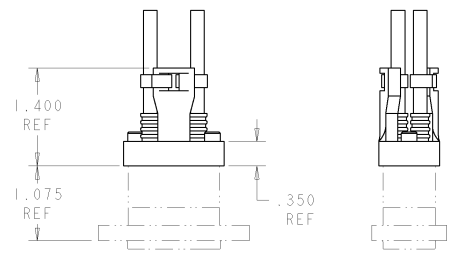
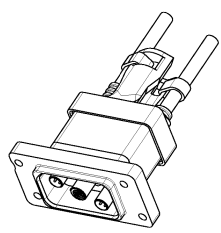
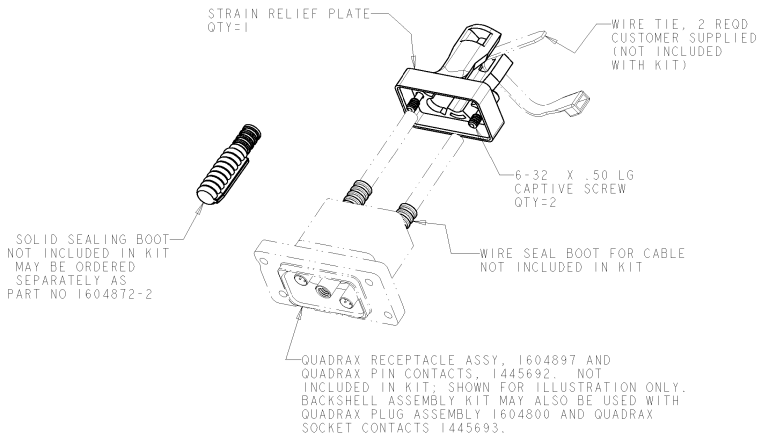


4 3 2 1

THIS DRAWING IS UNPUBLISHED. RELEASED FOR PUBLICATION BY TYCO ELECTRONICS CORPORATION. ALL RIGHTS RESERVED.

REV. NO.	DATE	DESCRIPTION	BY	CHKD
0	04/14/05	RELEASED PER 0414-0311-05	EDW/HJS	EW/RW



1604905-1 AND -2 KIT

BACCIONDI	---	RECEPTACLE 1604897 -OR- PLUG 1604898	1604905-2
---	1604905-1	RECEPTACLE 1604897 -OR- PLUG 1604898	1604905-1
MARKED BOEING PART NUMBER	MARKED TYCO PART NUMBER	USED ON	ASSEMBLY PART NO

DIMENSIONS: IN		10 JUN 03 W. H. BERNHART W. H. BERNHART	tyco Electronics Tyco Electronics Harrisburg, PA 17105-3600
MATERIAL: FINISH		PRODUCT SPEC APPLICATION SPEC WEIGHT CUSTOMER DRAWING	KIT, BACKSHELL, QUADRAX, 2 POSN SIZE CASE CODE DRAWING NO A2100779 1604905 RESTRICTED TO SCALE 2:1 SHEET 1 OF 1 REV 0