

4

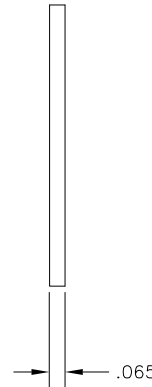
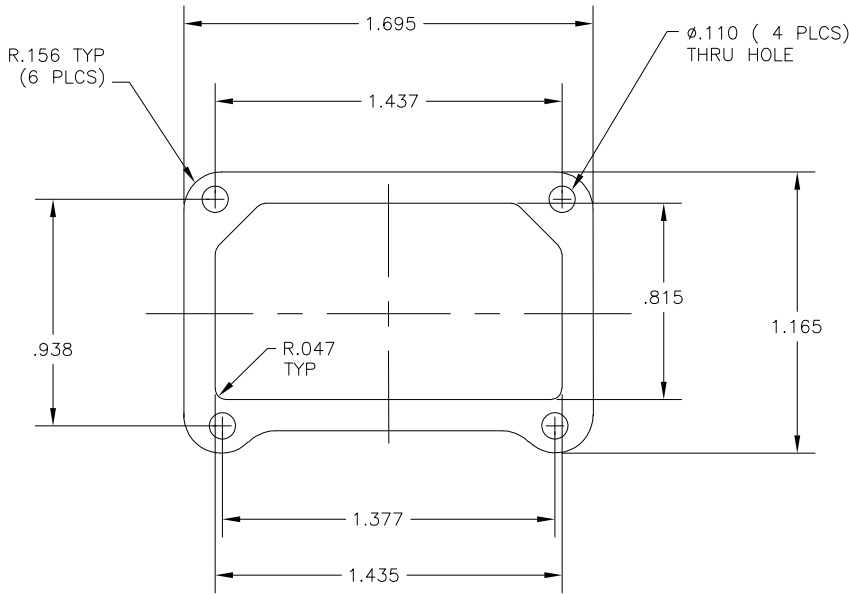
3

2

1

THIS DRAWING IS UNPUBLISHED. RELEASED FOR PUBLICATION
 © COPYRIGHT - BY TYCO ELECTRONICS CORPORATION. ALL RIGHTS RESERVED.

LOC	DIST	REVISIONS			
P	LTR	DESCRIPTION	DATE	DWN	APVD
	B	REV PER EC 0H14-0216-05	02FEB06	BL	CT



1 ELECTROLESS NICKEL DOES NOT CONTAIN INTENTIONAL ADDITIONS OF LEAD AND CADMIUM PER DFE STANDARD 230-700.

1	ELECTROLESS NICKEL	5-204861-3
	ELECTROLESS NICKEL	204861-5
	ELECTROLESS NICKEL	204861-3
	BLUE ANODIZED	204861-2
	PLATING	PART NUMBER

THIS DRAWING IS A CONTROLLED DOCUMENT.		DWN	B. LATIUCA	02FEB2006	 Tyco Electronics Corporation Harrisburg, PA 17105-3608	
DIMENSIONS: INCHES		CHK	J. MARKEY	02FEB2006		
TOLERANCES UNLESS OTHERWISE SPECIFIED: 0 PLC ± - 1 PLC ± - 2 PLC ± - 3 PLC ± .005 4 PLC ± - ANGLES ± -		APVD	J. MARKEY	02FEB2006	NAME	
MATERIAL		ALUMINUM ALLOY			FINISH	BLUE ANODIZED
		PRODUCT SPEC			PLATE, RETAINER	
APPLICATION SPEC		WEIGHT			SIZE	A3
CUSTOMER DRAWING		CAGE CODE			DRAWING NO	00779
SCALE		SHEET			1	1
REV		B			RESTRICTED TO	

AMP 1470-19 REV 31MAR2000

19APR2006 9:59am us016412

H:\docmod\204861_1-c.dwg