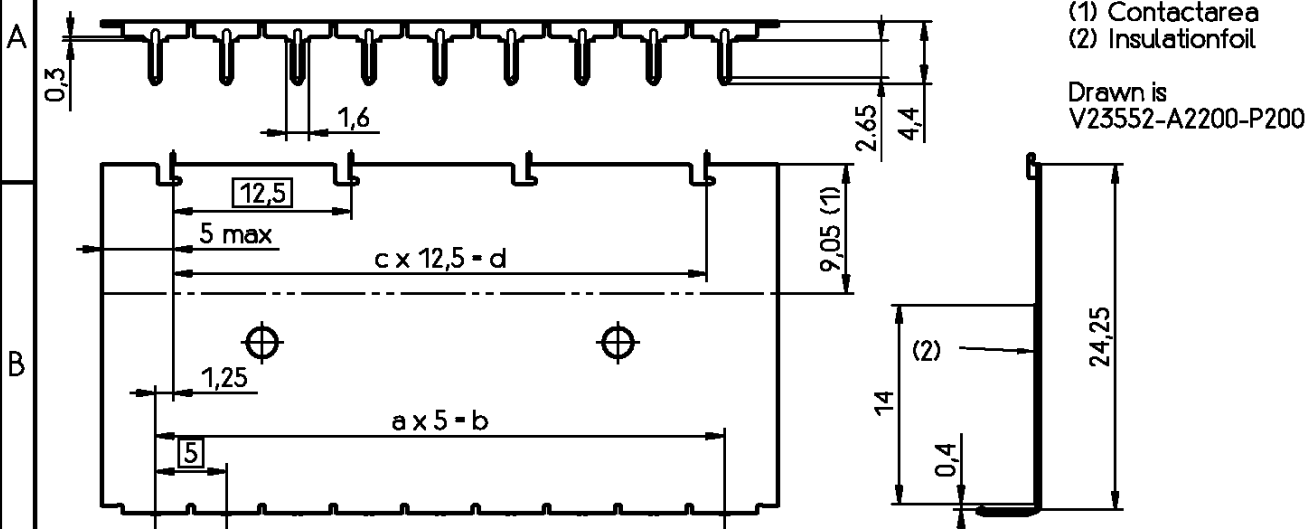


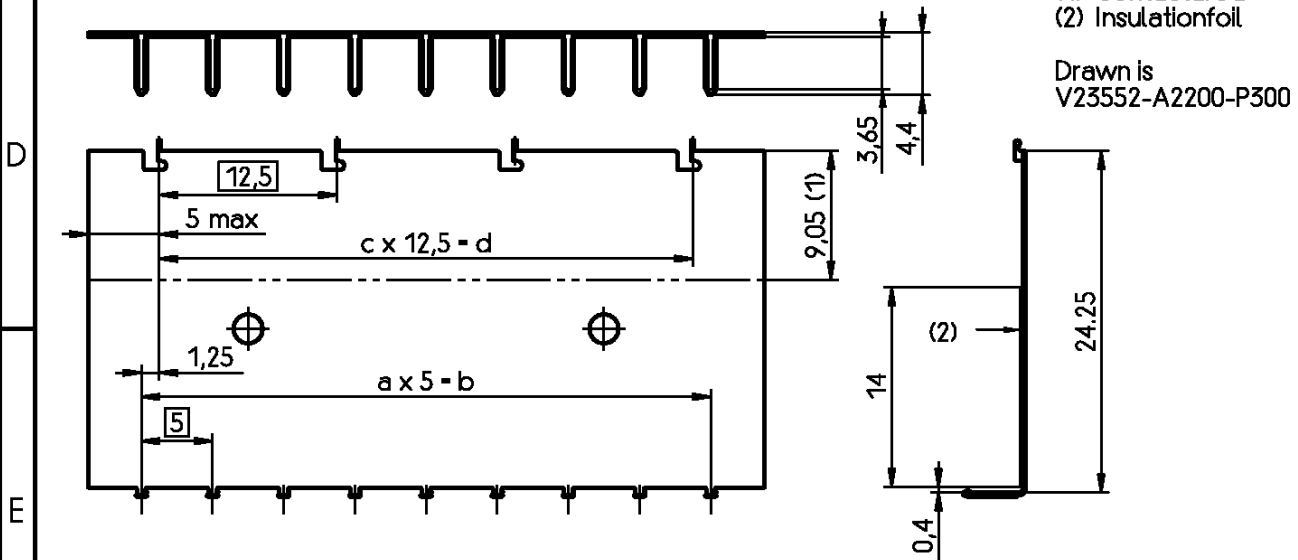
Ground plate for bottom of PCB with thickness up to 2.6mm



Partnumber V23552-	a x 5 = b	c x 12,5 = d
A2100-P200	3 x 5 = 15	1 x 12,5 = 12,5
A2200-P200	8 x 5 = 40	3 x 12,5 = 37,5
A2400-P200	18 x 5 = 90	7 x 12,5 = 87,5
A2600-P200	28 x 5 = 140	11 x 12,5 = 137,5
A2800-P200	38 x 5 = 190	15 x 12,5 = 187,5
A2900-P200	43 x 5 = 215	17 x 12,5 = 212,5
A2000-P200	48 x 5 = 240	19 x 12,5 = 237,5

Partnumber V23552-	a x 5 = b	c x 12,5 = d
A2100-P300	3 x 5 = 15	1 x 12,5 = 12,5
A2200-P300	8 x 5 = 40	3 x 12,5 = 37,5
A2400-P300	18 x 5 = 90	7 x 12,5 = 87,5
A2600-P300	28 x 5 = 140	11 x 12,5 = 137,5
A2800-P300	38 x 5 = 190	15 x 12,5 = 187,5
A2900-P300	43 x 5 = 215	17 x 12,5 = 212,5
A2000-P300	48 x 5 = 240	19 x 12,5 = 237,5

Ground plate for bottom of PCB with thickness up to 3.6mm



THIS INFORMATION IS CONFIDENTIAL AND PROPRIETARY TO TYCO ELECTRONICS CORPORATION AND ITS WORLDWIDE SUBSIDIARIES AND AFFILIATES. IT MAY NOT BE DISCLOSED TO ANYONE, OTHER THAN TYCO ELECTRONICS PERSONNEL, WITHOUT WRITTEN AUTHORIZATION FROM TYCO ELECTRONICS CORPORATION, HARRISBURG, PENNSYLVANIA USA.



Tyco Electronics Corporation
Oostkamp - Belgium



LOC DIMENSIONS
GW IN MM

SCALE WEIGHT

MATERIAL

DATE	22.02.00
NAME	Vanbesien
DEP.	CS CI PD
EC	

PART NAME
**Engineering Obligations
for Delivery**

A	05.05.00	Vb	TOLERANCE UNLESS SPECIFIED OTHERWISE
51	22.02.00	Vb	
REV.	CHANGE ORDER	DATE	APP.

PART NO.
V23552-A2*00-P*00-*7626

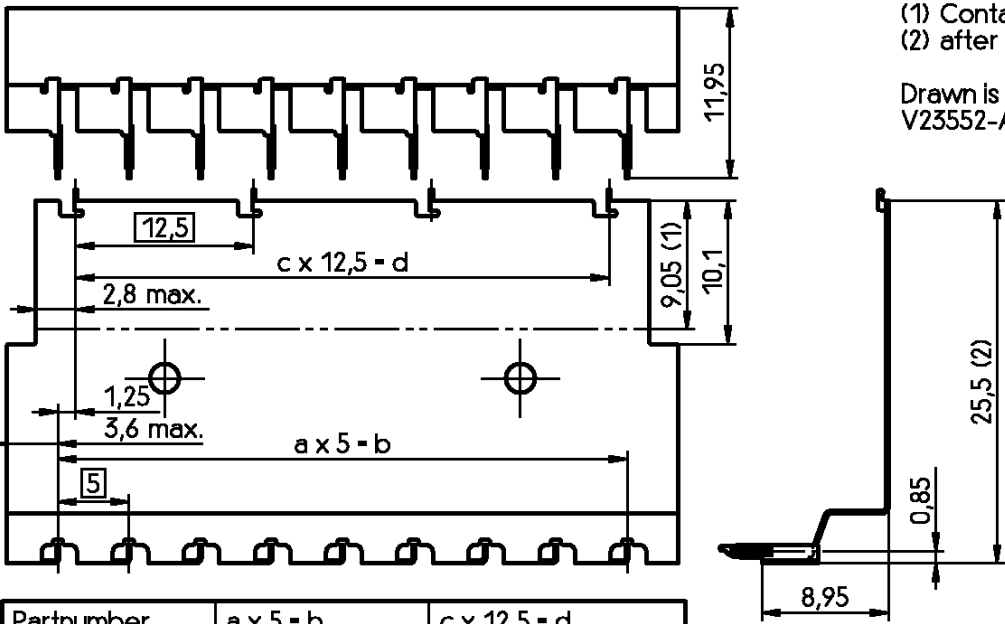
SHT. 1+

Customer Drawing Nr. C 1-1393714-3 OF 3

PROPRIETARY:

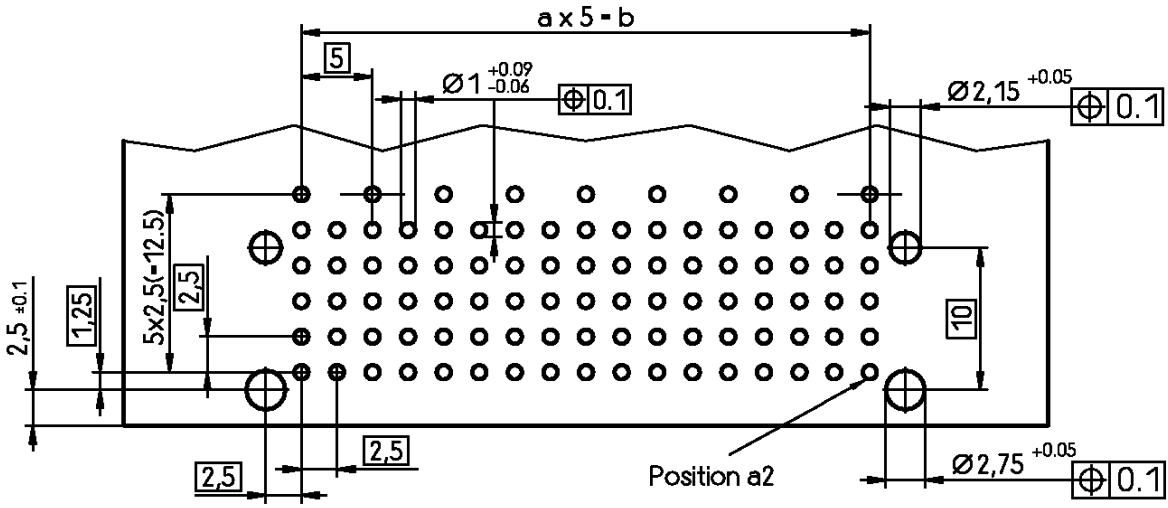
(1) Contactarea
(2) after mounting on PCB

Drawn is
V23552-A2200-P100



Partnumber V23552-	a x 5 - b	c x 12,5 - d
A2100-P100	3 x 5 = 15	1 x 12,5 = 12,5
A2200-P100	8 x 5 = 40	3 x 12,5 = 37,5
A2400-P100	18 x 5 = 90	7 x 12,5 = 87,5
A2600-P100	28 x 5 = 140	11 x 12,5 = 137,5
A2800-P100	38 x 5 = 190	15 x 12,5 = 187,5
A2900-P100	43 x 5 = 215	17 x 12,5 = 212,5
A2000-P100	48 x 5 = 240	19 x 12,5 = 237,5

Hole pattern for female connector with ground plates



Tyco Electronics Corporation
Oostkamp - Belgium



LOC DIMENSIONS
GW IN MM

SCALE WEIGHT

MATERIAL

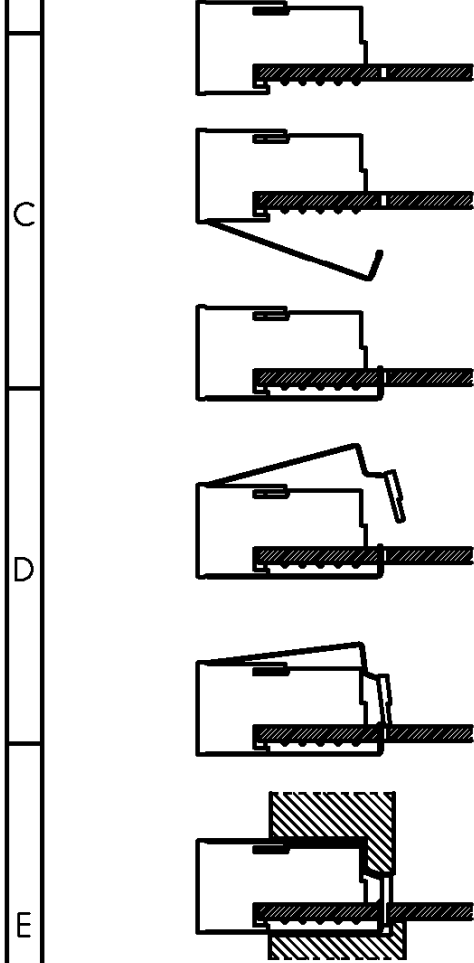
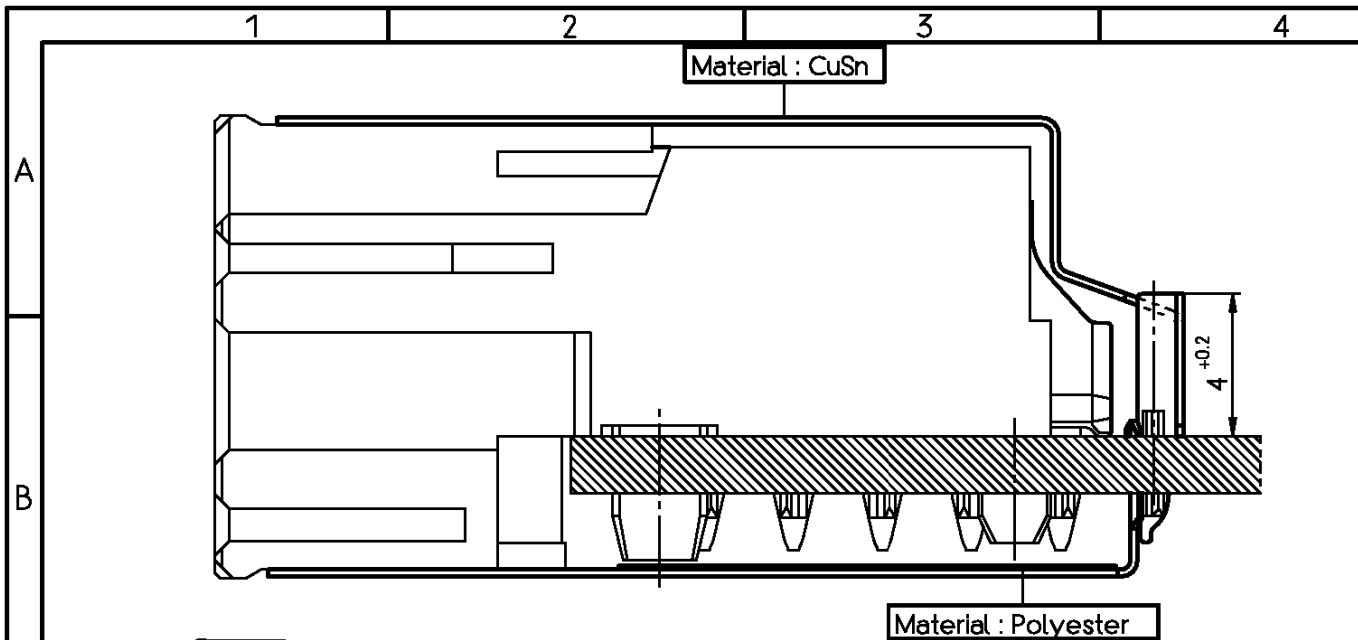
DATE	22.02.00
NAME	Vanbesien
DEP.	CS CI PD
EC	
TOLERANCE UNLESS SPECIFIED OTHERWISE	
A	05.05.00 Vb
51	22.02.00 Vb
REV.	CHANGE ORDER
DATE	APP.

PART NAME
**Engineering Obligations
for Delivery**

PART NO.
V23552-A2*00-P*00-*
SHT. 2+

Customer Drawing Nr. C 1-1393714-3 OF 3

THIS INFORMATION IS CONFIDENTIAL AND PROPRIETARY TO TYCO ELECTRONICS CORPORATION AND ITS WORLDWIDE
 SUBSIDIARIES AND AFFILIATES. IT MAY NOT BE DISCLOSED TO ANYONE, OTHER THAN TYCO ELECTRONICS PERSONNEL,
 WITHOUT WRITTEN AUTHORIZATION FROM TYCO ELECTRONICS CORPORATION, HARRISBURG, PENNSYLVANIA USA.
PROPRIETARY.



Mounting procedure :

- 1) Fit bottom plate to the female connector and push into the holes of the PCB
- 2) Fit top plate to the female connector and push into the (same) holes of the PCB
- 3) Press in the top plate

Active part numbers. Contact Tyco Electronics for other configuration availability

Old Part Number	Tyco Part Number
V23552-A2000-P100	1-1393714-3
V23552-A2000-P200	1-1393714-4
V23552-A2000-P300	2-1393714-7
V23552-A2100-P100	1-1393714-5
V23552-A2100-P200	1-1393714-6
V23552-A2100-P300	2-1393714-3
V23552-A2200-P100	1-1393714-7
V23552-A2200-P200	1-1393714-8
V23552-A2200-P300	2-1393714-4
V23552-A2400-P100	1-1393714-9
V23552-A2400-P200	2-1393714-0
V23552-A2400-P300	2-1393714-5
V23552-A2900-P100	2-1393714-1
V23552-A2900-P200	2-1393714-2
V23552-A2900-P300	2-1393714-6

tyco
Electronics

Tyco Electronics Corporation
Oostkamp - Belgium



LOC DIMENSIONS IN MM
GW

SCALE WEIGHT

MATERIAL

PART NAME
**Engineering Obligations
for Delivery**

PART NO. SHT. 3-
V23552-A2*00-P*00-*7626

DATE	22.02.00			
NAME	Vanbesien			
DEP.	CS CI PD			
EC				
TOLERANCE UNLESS SPECIFIED OTHERWISE				
REV. A	05.05.00 Vb			
51	22.02.00 Vb			
REV.	CHANGE ORDER	DATE	APP.	Customer Drawing Nr. C 1-1393714-3

THIS INFORMATION IS CONFIDENTIAL AND PROPRIETARY TO TYCO ELECTRONICS CORPORATION AND ITS WORLDWIDE SUBSIDIARIES AND AFFILIATES. IT MAY NOT BE DISCLOSED TO ANYONE, OTHER THAN TYCO ELECTRONICS PERSONNEL, WITHOUT WRITTEN AUTHORIZATION FROM TYCO ELECTRONICS CORPORATION, HARRISBURG, PENNSYLVANIA USA.

PROPRIETARY: