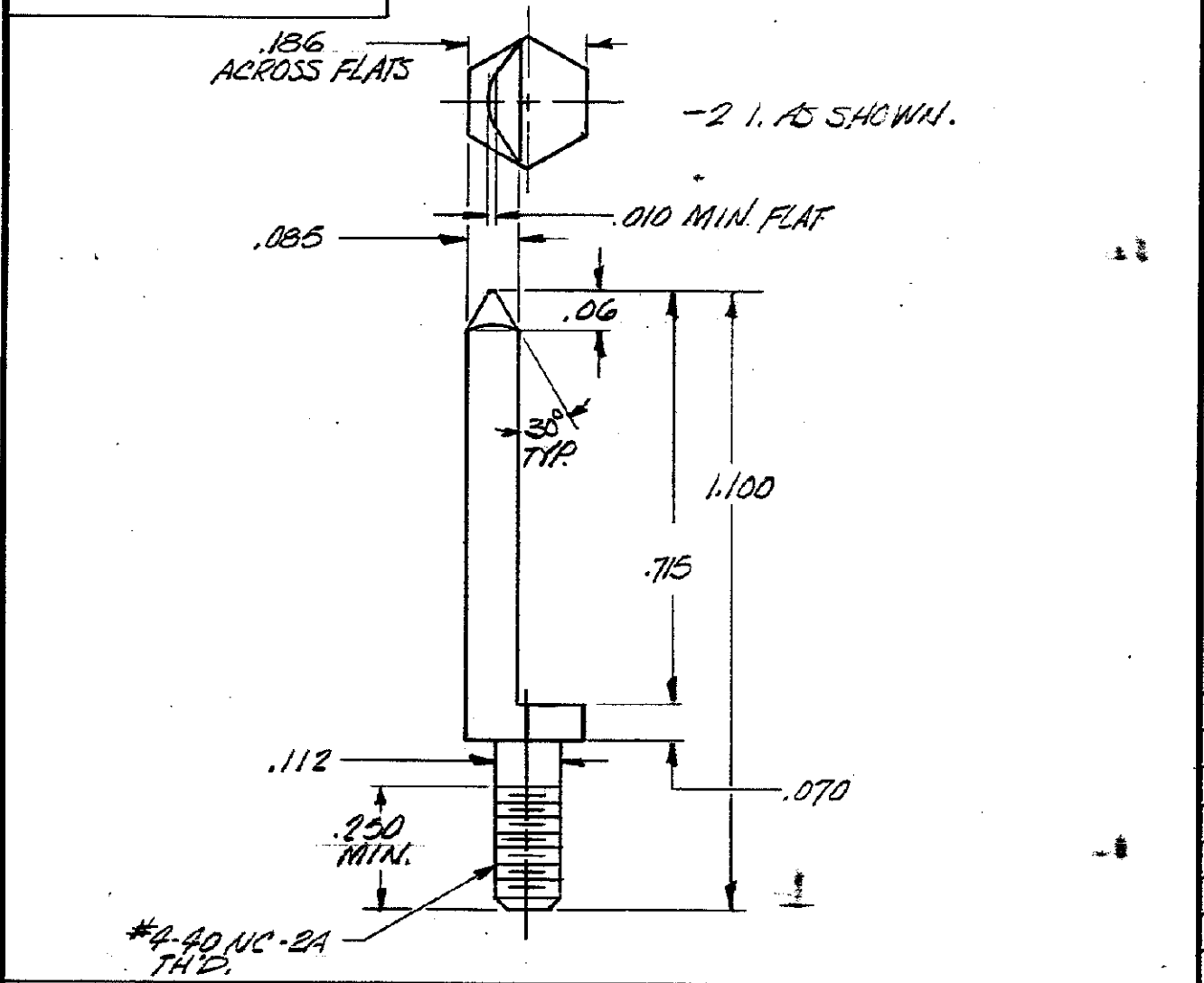


DRAWING MADE IN THIRD ANGLE PROJECTION


LOC *R* DIST *30*

© COPYRIGHT 1978 BY AMP INCORPORATED, HARRISBURG, PA. ALL INTERNATIONAL RIGHTS RESERVED. AMP INCORPORATED PRODUCTS COVERED BY U.S. AND FOREIGN PATENTS AND /OR PATENTS PENDING.

REVISIONS				
LTR	DESCRIPTION	DATE	APPROVED	P/F
0	RELEASED	8/29/78	JCH	2
A	REV. / ECN 2-1871	3-4-86	AMP DB	2



PART NO

UNLESS OTHERWISE SPECIFIED DIMENSIONS ARE IN INCHES. TOLERANCES ON: DECIMALS $\pm .005$ ANGLES $\pm 8^\circ 30'$	CONTRACT NO	 <b>AMP INCORPORATED</b> Harrisburg, Pa.
	DR. <i>R. Hoffman</i> 8/29/78	
MATERIAL	APPD <i>Schurley</i> 9-5-78	NAME <b>POLARIZING POST</b>
<i>ST. STEEL PER QQ-5-763</i>	APPD <i>J. White</i> 9/5/78	
FINISH	DSGN APPD	SIZE <b>A</b> CODE IDENT NO <b>00779</b> DRAWING NO <b>202355</b>
<b>PASSIVATE</b>	OTHER APPD	SCALE $\frac{1}{1}$ SHEET $\frac{1}{1}$

AMP 1469-32 (7-73)

**CUSTOMER DRAWING**