

4

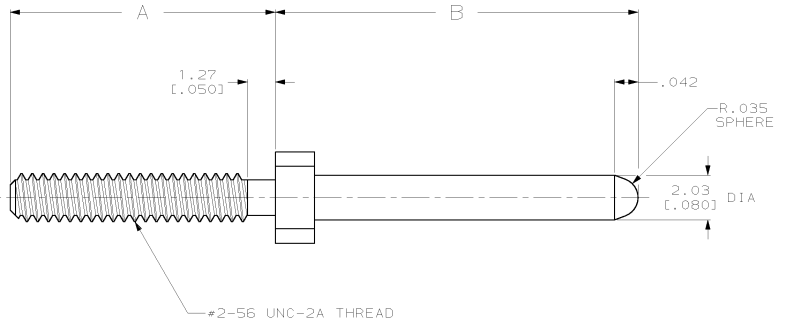
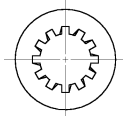
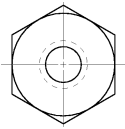
3

2

1

THIS DRAWING IS UNPUBLISHED. RELEASED FOR PUBLICATION
 © COPYRIGHT 19 BY AMP INCORPORATED. ALL RIGHTS RESERVED.

LOC	QTY	REV	DESCRIPTION	DATE	BY	APPD
AD	00					
B			ECN AD4218	5-1-90	RKS	-
C			REVISED PER ECN 0010-0841-93	2-1-94	TS	GS
D			PER EC 1546-94	11-10-94	TS	DH
E			PER EC 0602-95	10-20-95	TS	JW
F			PER EC 0504-0091-96	11-27-96	TS	GS
G			PER EC 0010-0829-96	6-20-97	TS	JR
H			REACTIVATED -5			
			PER EC 0512-0168-02	02 MAY 03	BC	WM



- ⚠ MATERIAL: STAINLESS STEEL
- ⚠ FINISH: PASSIVATED
- 3. DIMENSIONS IN BRACKETS ARE IN INCHES.

OBSOLETE	16.51 [.650]	25.40 [1.000]	532808-6
	16.51 [.650]	9.40 [.370]	532808-5
OBSOLETE	16.51 [.650]	15.49 [.610]	532808-4
	16.51 [.650]	19.05 [.750]	532808-3
	16.51 [.650]	14.27 [.562]	532808-2
	16.51 [.650]	12.06 [.475]	532808-1
	B	A	PART NUMBER

DIMENSIONS mm (INCHES)		DIMENSIONS mm (INCHES)		DATE 5-11-90	BY R. K. SEIFERD	AMP Incorporated Harrisburg, PA 17105-3608
DIMENSIONS mm (INCHES)		DIMENSIONS mm (INCHES)		DATE 12-15-93	BY G. SKIFFER	AMP
DIMENSIONS mm (INCHES)		DIMENSIONS mm (INCHES)		DATE 12-15-93	BY G. SKIFFER	
DIMENSIONS mm (INCHES)		DIMENSIONS mm (INCHES)		NAME HDI, GUIDE PIN KIT		SIZE A2100779
DIMENSIONS mm (INCHES)		DIMENSIONS mm (INCHES)		DRAWING NO C-532808		SCALE 8:1
DIMENSIONS mm (INCHES)		DIMENSIONS mm (INCHES)		SHEET 1 OF 1		REV H

532808

B

A