

4

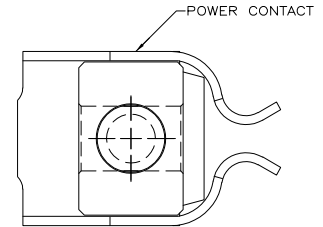
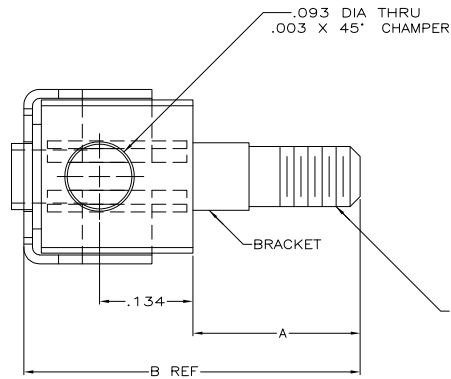
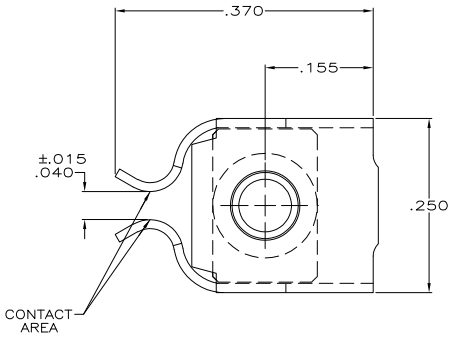
3

2

1

THIS DRAWING IS UNPUBLISHED. RELEASED FOR PUBLICATION
 © COPYRIGHT BY TYCO ELECTRONICS CORPORATION. ALL RIGHTS RESERVED.

LOC	DIST	REVISIONS			
		REV	DESCRIPTION	DATE	BY
AD	25	G	REVISED PER EC 0512-0552-04	28SEP05	JDP DD



- △ CONTACT MATERIAL: PHOSPHOR BRONZE.
- △ BRACKET MATERIAL: BRASS.
- △ FINISH: .000050 - .000100 NICKEL UNDERPLATE ALL OVER, .000030 GOLD IN CONTACT AREA, GOLD FLASH ON REMAINDER.
- △ FINISH: .000050 - .000100 NICKEL UNDERPLATE ALL OVER, .000050 GOLD IN CONTACT AREA, GOLD FLASH ON REMAINDER.

	.438	.185	△	533065-7
	.478	.225	△	533065-6
OBSOLETE	.565	.312	△	533065-5
	.543	.290	△	533065-4
	-	-	-	-
OBSOLETE	.678	.425	△	533065-2
OBSOLETE	.678	.425	△	533065-1

THIS DRAWING IS A CONTROLLED DOCUMENT. DATE: 02/17/99
 DWG: DAVID LEE HOFFMAN
 CHK: G. SKIPPER
 G. SKIPPER
 NAME: Tyco Electronics Corporation
 Harrisburg, PA 17105-3608

DIMENSIONS	TOLERANCES UNLESS OTHERWISE SPECIFIED	FINISH	RESTRICTED TO
mm [INCHES]	0 PLC ± .005	△	
	1 PLC ± .005	△	
	2 PLC ± .005	△	
	3 PLC ± .005	△	
	4 PLC ± .005	△	
	ANGLE ± .5°	△	
	FINISH	△	

SIZE	CAGE CODE	DRAWING NO	RESTRICTED TO
A2	00779	C-533065	

CUSTOMER DRAWING SCALE: 10:1 SHEET 1 of 1 REV G

AMP 1471-9 REV 31MAR2000

533065

A