

4

3

2

1

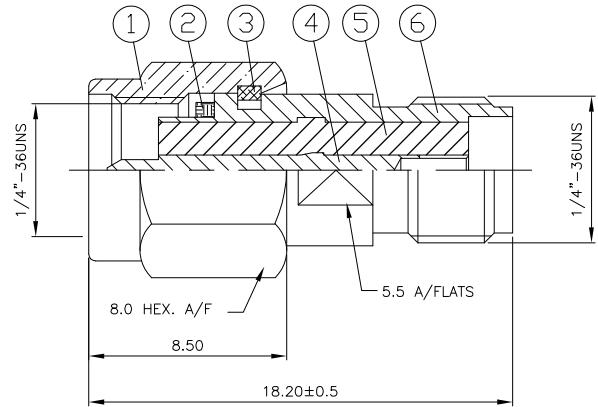
THIS DRAWING IS UNPUBLISHED. RELEASED FOR PUBLICATION APRIL, 2004.

© COPYRIGHT 2004 BY TYCO ELECTRONICS CORPORATION. ALL RIGHTS RESERVED.

NOTES:

- 1 SINGLE PACK IN ACCORDANCE WITH SPEC 107-3275
- 2 100 TRAY PACK IN ACCORDANCE WITH SPEC 107-3275
- 3 0.08μm Au PLATING OVER 1.27μm Ni PLATING
- 4 0.08μm Au PLATING OVER 1.27μm Ni PLATING OVER 0.76μm Cu PLATING
- 5 0.76μm Au PLATING OVER 1.27μm Ni PLATING OVER 0.76μm Cu PLATING
- 6 PASSIVATED
- 7 WHITE BRONZE PLATING
- 8 FOR TECHNICAL DATA REFER TO YOUR LOCAL TYCO ELECTRONICS SALES OFFICE
- 9 ALL DIMENSIONS ARE NOMINAL FOR REFERENCE ONLY UNLESS OTHERWISE STATED

LOC	DIST	REVISIONS			
P	LTR	DESCRIPTION	DATE	DWN	APVD
E	B	A	EBD0-0035-03	12FEB04	RS FWK



QTY	1	2	3	4	5	6	7	8	9	10	11	12	MATERIAL	DESCRIPTION	ITEM
1	1	-	-	-	-	-	-	-	-	-	-	-	BRASS	△ BODY	6
-	-	1	1	-	-	-	-	-	-	-	-	-	BRASS	△ BODY	6
-	-	-	-	1	1	-	-	-	-	-	-	-	STAINLESS STEEL	△ BODY	6
-	-	-	-	-	-	1	1	-	-	-	-	-	STAINLESS STEEL	△ BODY	6
1	1	1	1	1	1	1	1	1	1	1	1	1	PTFE	INSULATOR	5
1	1	1	1	1	1	1	1	1	1	1	1	1	BERYLLIUM COPPER	△ CENTER CONTACT	4
1	1	1	1	1	1	1	1	1	1	1	1	1	STAINLESS STEEL	CIRCLIP	3
1	1	1	1	1	1	1	1	1	1	1	1	1	SILICON	GASKET	2
1	1	-	-	-	-	-	-	-	-	-	-	-	BRASS	△ SHELL	1
-	-	1	1	-	-	-	-	-	-	-	-	-	BRASS	△ SHELL	1
-	-	-	-	1	1	-	-	-	-	-	-	-	STAINLESS STEEL	△ SHELL	1
-	-	-	-	-	-	1	1	-	-	-	-	-	STAINLESS STEEL	△ SHELL	1
4--1	4--0	3--1	3--0	2--1	2--0	1--1	1--0	-	-	-	-	-	MATERIAL	DESCRIPTION	ITEM
△	△	△	△	△	△	△	△	△	△	△	△	△			

THIS DRAWING IS A CONTROLLED DOCUMENT.

DIMENSIONS: mm	TOLERANCES UNLESS OTHERWISE SPECIFIED:	0 PLC ± -	1 PLC ± -	2 PLC ± -	3 PLC ± -	4 PLC ± -	ANGLES ± -
MATERIAL	FINISH						

SEE TABLE

DWN	R. SMITH	12FEB04	Tyco Electronics Corporation	
CHK	S. PARLOW	12FEB04	Bideford, UK, EX39 4HE	
APVD	F. WHEELER-KING	12FEB04	NAME	SMA STRAIGHT ADAPTOR PLUG - JACK
			SIZE	CAGE CODE
			A3	00779
			DRAWING NO	1478983
			RESTRICTED TO	-
			WEIGHT	-
			CUSTOMER DRAWING	SCALE 1:1
			SHEET 1 OF 1	REV A