

4

3

2

1

THIS DRAWING IS UNPUBLISHED. RELEASED FOR PUBLICATION MAY, 2006.

COPYRIGHT 2006 BY TYCO ELECTRONICS CORPORATION. ALL RIGHTS RESERVED.

LOC	DIST	REVISIONS			
P	LTR	DESCRIPTION	DATE	DWN	APVD
	C	ECR-06-010127	17MAY06	JMS	FWK

NOTES:

△ PACK IN ACCORDANCE WITH AMP SPEC 107-3275

△ 100 TRAY PACK IN ACCORDANCE WITH AMP SPEC 107-3275

△ Au PLATING

△ Ni PLATING

5 ELECTRICAL CHARACTERISTICS

FREQUENCY RANGE: DC - 11 GHz
 NOMINAL IMPEDANCE: 50 Ohm
 INSULATION RESISTANCE: 5000 MOhm
 WORKING VOLTAGE: 1000 Volts RMS at Sea Level
 DIELECTRIC WITHSTAND VOLTAGE: 2500 Volts RMS Max
 CONTACT RESISTANCE:
 CENTRE CONTACT: 1.00 mOhm Max
 OUTER CONTACT: 1.00 mOhm Max
 VSWR @ xGHz: N/A
 INSERTION LOSS xdb: N/A

6 MECHANICAL CHARACTERISTICS

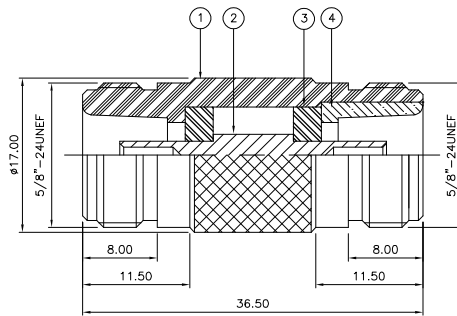
COUPLING RETENTION FORCE: 445N Min
 DURABILITY: 500 Cycles Min

7 ENVIRONMENTAL CHARACTERISTICS

OPERATING TEMPERATURE: -65 to +165 DegC

8 FOR TECHNICAL DATA REFER TO YOUR LOCAL TYCO ELECTRONICS SALES OFFICE

9 ALL DIMENSIONS ARE NOMINAL FOR REFERENCE ONLY UNLESS OTHERWISE STATED



QTY	1	1	MATERIAL	DESCRIPTION	ITEM
	1	1	BRASS	△ SLEEVE	4
	2	2	PTFE	INSULATION	3
	1	1	BRASS	△ CONTACT	2
	1	1	BRASS	△ BODY	1
	6--0	1--0	MATERIAL	DESCRIPTION	ITEM

THIS DRAWING IS A CONTROLLED DOCUMENT.		DWN	J. SANDWELL	17MAY06	Tyco Electronics Corporation Bideford EX39 4HE
DIMENSIONS:		CHK	S. PARLOW	17MAY06	
mm		APVD	E. WHEELER-KING	17MAY06	
TOLERANCES UNLESS OTHERWISE SPECIFIED:		NAME	TYPE 'N' STRAIGHT ADAPTOR J-J 50 OHM		
0 PLC	± -	PRODUCT SPEC	-		
1 PLC	± -	APPLICATION SPEC	-		
2 PLC	± -	WEIGHT	-		
3 PLC	± -	MATERIAL	-		
4 PLC	± -	FINISH	-		
ANGLES	± -	SIZE	A3	00779	C=1337624
SEE TABLE	-	CUSTOMER DRAWING	SCALE	NTS	SHEET 1 OF 1 REV C

AMP 1470-19 REV 31MAR2000