

4

3

2

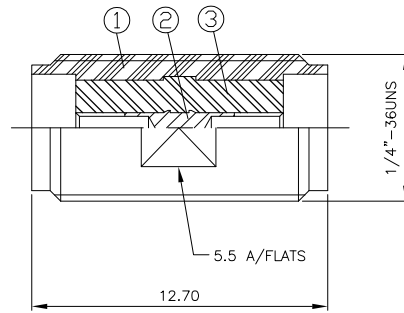
1

THIS DRAWING IS UNPUBLISHED. RELEASED FOR PUBLICATION APRIL, 2004.
 © COPYRIGHT 2004 BY TYCO ELECTRONICS CORPORATION. ALL RIGHTS RESERVED.

LOC	DIST	REVISIONS			
P	LTR	DESCRIPTION	DATE	DWN	APVD
E	B	A	EBD0-0035-03	06FEB04	RS FWK

NOTES:

- 1 SINGLE PACK IN ACCORDANCE WITH SPEC 107-3275
- 2 100 TRAY PACK IN ACCORDANCE WITH SPEC 107-3275
- 3 0.08µm Au PLATING OVER 1.27µm Ni PLATING
- 4 0.08µm Au PLATING OVER 1.27µm Ni PLATING OVER 0.76µm Cu PLATING
- 5 0.76µm Au PLATING OVER 1.27µm Ni PLATING OVER 0.76µm Cu PLATING
- 6 PASSIVATED
- 7 WHITE BRONZE PLATING
- 8 FOR TECHNICAL DATA REFER TO YOUR LOCAL TYCO ELECTRONICS SALES OFFICE
- 9 ALL DIMENSIONS ARE NOMINAL FOR REFERENCE ONLY UNLESS OTHERWISE STATED



QTY	1	2	3	4	5	6	7	8	9	10	MATERIAL	DESCRIPTION	ITEM
1	1	1	1	1	1	1	1	1	1	1	PTFE	INSULATOR	3
1	1	1	1	1	1	1	1	1	1	1	BRASS	△ CENTER CONTACT	2
1	1	-	-	-	-	-	-	-	-	-	BRASS	△ SHELL	1
-	-	1	1	-	-	-	-	-	-	-	BRASS	△ SHELL	1
-	-	-	-	1	1	-	-	-	-	-	STAINLESS STEEL	△ SHELL	1
-	-	-	-	-	-	1	1	-	-	-	STAINLESS STEEL	△ SHELL	1
4--1	4--0	3--1	3--0	2--1	2--0	1--1	1--0	-	-	-	MATERIAL	DESCRIPTION	ITEM
△	△	△	△	△	△	△	△	△	△	△			

THIS DRAWING IS A CONTROLLED DOCUMENT.		DWN R.SMITH 06FEB04	Tyco Electronics Corporation	
DIMENSIONS: mm		CHK S.PARLOW 06FEB04	Bideford, UK, EX39 4HE	
TOLERANCES UNLESS OTHERWISE SPECIFIED:		APVD F.WHEELER-KING 06FEB04	NAME	
0 PLC ± -		SMA STRAIGHT ADAPTOR JACK - JACK		
1 PLC ± -		PRODUCT SPEC		
2 PLC ± -		APPLICATION SPEC		
3 PLC ± -		SIZE CAGE CODE DRAWING NO		
4 PLC ± -		WEIGHT		
ANGLES ± -		A3 00779 C-1478980		
MATERIAL FINISH		RESTRICTED TO		
SEE TABLE		CUSTOMER DRAWING		
		SCALE 1:1	SHEET 1 OF 1	REV A