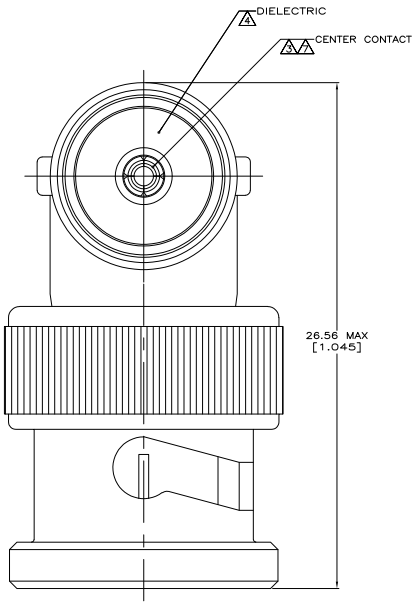
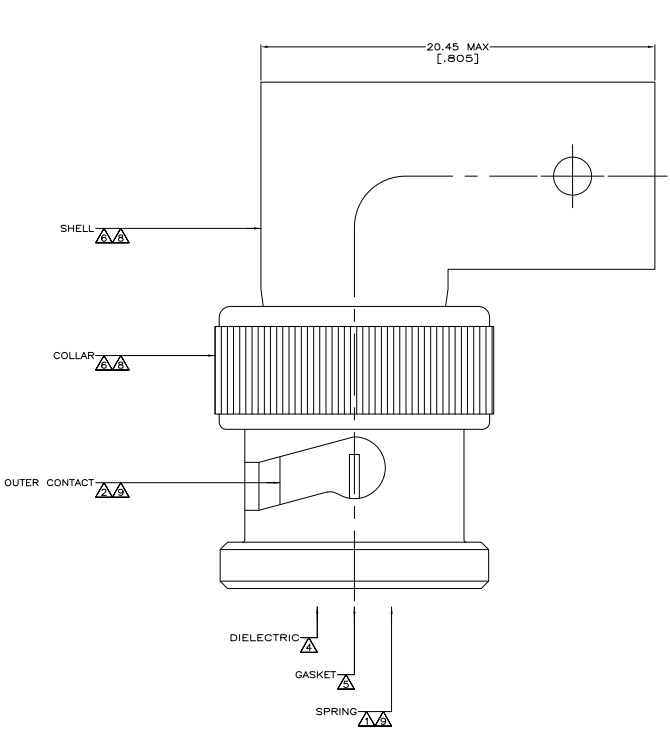


- ▲ CARBON STEEL PER ASTM-A-108
- ▲ BRASS PER ASTM-B-16
- ▲ PHOSPHOR BRONZE PER ASTM-B-139
- ▲ POLYMETHYLENE: GENERAL PURPOSE
- ▲ SILICONE RUBBER PER ZZ-R-765
- ▲ ZINC DIE CAST PER ASTM-B-86
- ▲ GOLD PLATE PER ASTM-B-488, 0.75µm [.000030] MIN THICKNESS
- ▲ NICKEL PLATE PER QQ-N-290, 1.27µm [.000050] MIN THICKNESS
- ▲ NICKEL PLATE PER QQ-N-290, 2.54µm [.000100] MIN THICKNESS



5415020-1
 PART NUMBER

THIS DRAWING IS A CONTROLLED DOCUMENT		REV. 16	DATE 05/16/05	BY AJ	CHK	APP
DRAWING NO. 108-1209B		REV. 16		DATE 05/16/05	BY AJ	CHK
SEE NOTES		SEE NOTES		CUSTOMER DRAWING		

Tyco Electronics Corporation
 Harrisburg, PA 17110-3608
**PLUG-JACK ADAPTER,
 RIGHT ANGLE, 75 OHM, BNC**