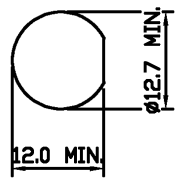
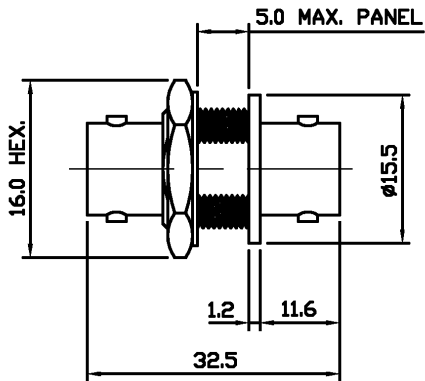


4 3 2 1

THIS DRAWING IS UNPUBLISHED. RELEASED FOR PUBLICATION 12-8-01.12-8-01
 © COPYRIGHT 2001 BY TYCO ELECTRONICS CORPORATION. ALL RIGHTS RESERVED.

| LOC | | DIST | | REVISIONS | | | |
|-----|-----|------------------------|--|-----------|-----|------|--|
| P | LTN | DESCRIPTION | | DATE | DWN | APVD | |
| | A | RELEASE FOR PRODUCTION | | 12-9-01 | RG | FWK | |



RECOMMENDED CUT-OUT DIMENSIONS

1. SUPPLIED SEMI-ASSEMBLED (PACK CONTAINS LOOSE PIECES)

ALL DIMENSIONS ARE NOMINAL. FOR REFERENCE ONLY.

| PACK TYPE | DESCRIPTION | PART NUMBER |
|-----------|--------------------|-------------|
| TRAY | 100 ITEMS PER TRAY | 6-147238-0 |
| BAG | SINGLE ITEM | 1-147238-0 |

| | |
|--------------------------|--------|
| HANDTOOL PART NUMBER | N/A |
| FOR USE ON CABLES | N/A |
| CONNECTOR PLATING DETAIL | NICKEL |
| CONTACT PLATING DETAIL | GOLD |
| DIELECTRIC MATERIAL | TEFLON |
| GASKET MATERIAL | N/A |

| DIMENSIONS: | | TOLERANCES UNLESS OTHERWISE SPECIFIED: | |
|-------------|---|--|--|
| MM | | | |
| 0 PLC | ± | | |
| 1 PLC | ± | | |
| 2 PLC | ± | | |
| 3 PLC | ± | | |
| 4 PLC | ± | | |
| ANGLES | ± | | |
| MATERIAL | | FINISH | |

| | | | |
|------------------|-----------|-----------|--|
| DWN | R GOODALL | 12-9-01 | Tyco Electronics Corporation Stanmore, Middlesex, HA7 4RS |
| GK | F W-KING | 12-8-01 | |
| APVD | F W-KING | 12-9-01 | NAME |
| PRODUCT SPEC | | | BNC INSULATED BULKHEAD ADAPTOR JACK 75 OHM |
| APPLICATION SPEC | | | 108-3435 |
| SIZE | A3 | CAGE CODE | 00779 |
| DRAWING NO | 1478238 | | RESTRICTED TO |
| WEIGHT | - | | - |
| CUSTOMER DRAWING | | | SCALE NTS SHEET 1 OF 1 REV A |

AMP 1470-19 REV 31MAR2000

G:\Engineering\Devon_Engineering\MACOM_GREENPAR_COAX\1478 drwgs AMENDED\complete-ready for REDC\1478238-C.dwg