

4

3

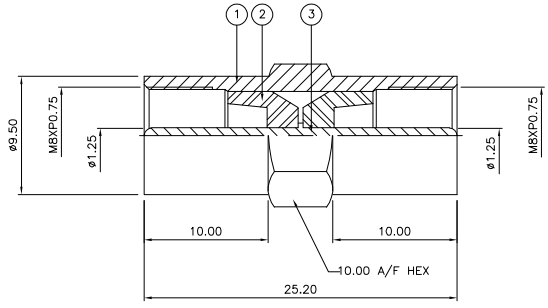
2

1

THIS DRAWING IS UNPUBLISHED. RELEASED FOR PUBLICATION FEB. 2006.
 © COPYRIGHT 2006 BY TYCO ELECTRONICS CORPORATION. ALL RIGHTS RESERVED.

LOC	DIST	REVISIONS			
P	LTR	DESCRIPTION	DATE	DWN	APVD
E	B	C	ECR-06-002568	02FEB06	JMS FWK

- NOTES:
- 1 PACK IN ACCORDANCE WITH AMP SPEC 107-3275
 - 2 100 TRAY PACK IN ACCORDANCE WITH AMP SPEC 107-3275
 - 3 Au PLATING
 - 4 Ni PLATING
- 5 ELECTRICAL CHARACTERISTICS
- | | |
|---------------------------------|----------------------------|
| FREQUENCY RANGE: | DC - 2 GHz |
| NOMINAL IMPEDANCE: | 50 Ohm |
| INSULATION RESISTANCE: | 5000 MOhm |
| WORKING VOLTAGE: | 100 Volts RMS at Sea Level |
| DIELECTRIC WITHSTAND VOLTAGE: | 1000 Volts RMS Max |
| CONTACT RESISTANCE: | |
| CENTRE CONTACT: | 10.00 mOhm Max |
| OUTER CONTACT: | 5.00 mOhm Max |
| VSWR @ 1.8GHz: | N/A |
| INSERTION LOSS: dB @ x 1.8 GHz: | 0.20 Max |
- 6 MECHANICAL CHARACTERISTICS
- | | |
|-------------------------------|----------------|
| COUPLING NUT RETENTION FORCE: | N/A |
| DURABILITY: | 500 Cycles Min |
- 7 ENVIRONMENTAL CHARACTERISTICS
- | | |
|------------------------|-----------------|
| OPERATING TEMPERATURE: | -55 to +85 DegC |
|------------------------|-----------------|



QTY	DESCRIPTION	MATERIAL	DESCRIPTION	ITEM
1	CONTACT	BRASS		3
2	INSULATION	POM		2
1	BODY	BRASS		1
6--0	MATERIAL			
1--0	DESCRIPTION			

THIS DRAWING IS A CONTROLLED DOCUMENT.

DIMENSIONS: mm	TOLERANCES UNLESS OTHERWISE SPECIFIED:	OWN J. SANDWELL 02FEB06	Tyco Electronics Corporation	
		CHK S. PARLOW 02FEB06	Bideford EX39 4HE	
		APVD F. WHEELER-KING 02FEB06	NAME FME STRAIGHT ADAPTOR P-P 50 OHM	
		PRODUCT SPEC	-	
		APPLICATION SPEC	-	
		WEIGHT	-	
MATERIAL	FINISH	SIZE A3	CAGE CODE 00779	DRAWING NO C-1337553
SEE TABLE	-	CUSTOMER DRAWING	SCALE NTS	SHEET 1 OF 1 REV C