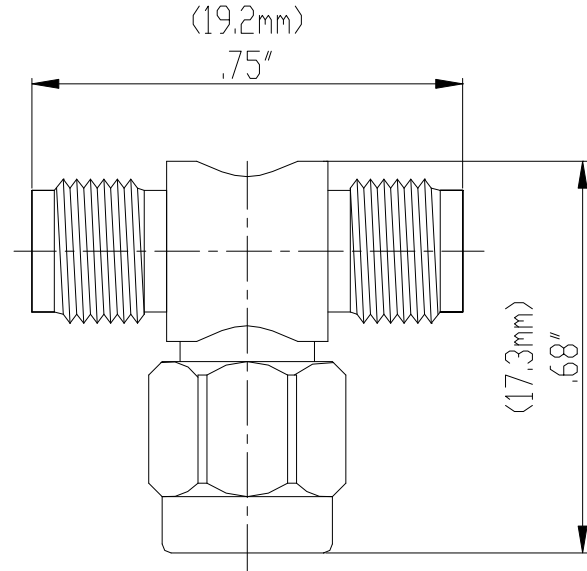


**Model 72969**  
**SMA T TYPE, JACK (F) / PLUG(M) / JACK (F)**



Model 72969 SMA T TYPE, JACK (F) / PLUG(M) / JACK (F)

High bandwidth, small size, and durability for confident connections.

**Features**

- DC - 18 GHz.
- Meets MIL-C-39012, IEC 169-15, CECC 22110.
- Small size and durability for mobile communications.
- Precision machined and gold-plated for low loss.

**Materials**

- Body is machined brass with gold plating.
- Center Contacts - Plug is gold plated brass and Jack is gold plated Beryllium copper.
- Insulators are high quality PTFE.
- Crimp Ferrules are copper with gold or nickel plating.
- Gaskets are silicone rubber.

**Specifications**

|                                 |                                    |
|---------------------------------|------------------------------------|
| Impedance                       | 50 Ω                               |
| Frequency Range                 | DC - 18 GHz                        |
| Working Voltage                 | < 500 V <sub>peak</sub>            |
| Dielectric Withstanding Voltage | 1,000 V <sub>rms</sub>             |
| VSWR                            | 1.25 max.                          |
| Center/Outer Contact Resistance | 0.003/0.002 Ω max                  |
| Insulation resistance           | > 5000 MΩ                          |
| Number of Insertions            | 500 cycles minimum                 |
| Temperature Range               | -65° C to 165° C, -85° F to 329° F |

**Ordering Information**

Model: 72969  
Description: SMA T TYPE, JACK (F) / PLUG(M) / JACK (F)

All dimensions are in inches. Tolerances (except noted): .xx = ±.02" (.51 mm), .xxx = ± .005" (.127 mm). All specifications are to the latest revisions. Specifications are subject to change without notice. Registered trademarks are the property of their respective companies.  
D2003409 REV 001

**USA:** Sales: 800-490-2361  
Technical Support: [technicalsupport@pomonaest.com](mailto:technicalsupport@pomonaest.com)  
Fax: 425-446-5844  
**Europe:** 31-(0) 40 2675 150 **International:** 425-446-5500  
**Where to Buy:** [www.pomonaelectronics.com](http://www.pomonaelectronics.com)