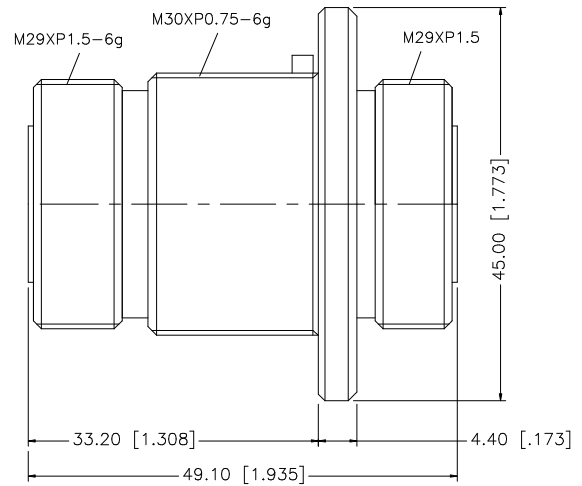
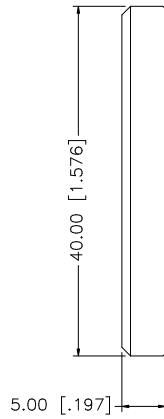
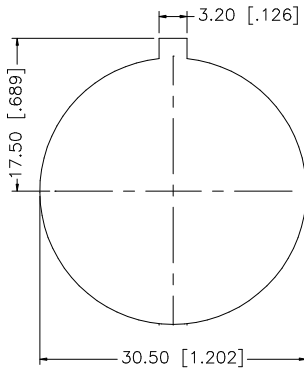


REV.	DATE	DESCRIPTION
NC	10/28/99	INITIAL RELEASE
A	01/31/07	UPDATE DRAWING FORMAT



DESCRIPTION	MATERIAL	FINISH	QTY	
8				
7				
6				
5	COVER	PE	BLUE	1
4	NUT	BRASS	NEXCOTE	1
3	CONTACT PIN	BER. COPPER	SILVER	1
2	INSULATOR	TEFLON	NATURAL	1
1	BODY	BRASS	NEXCOTE	1

UNLESS OTHERWISE SPECIFIED DIMENSIONS ARE IN MILLIMETERS. DIMENSIONS IN [] ARE IN INCHES AND FOR CUSTOMER REFERENCE ONLY.

UNLESS OTHERWISE SPECIFIED TOLERANCES FOR MILLIMETERS ARE:
0.5 - 8mm ± 0.20mm
8 - 30mm ± 0.40mm
30 - 120mm ± 0.50mm

UNLESS OTHERWISE SPECIFIED TOLERANCES FOR INCHES ARE:
.020 - .315 = ± 0.007"
.315 - 1.180 = ± 0.015"
1.180 - 4.724 = ± 0.020"

DO NOT SCALE DRAWING

APPROVALS	DATE
DRAWN G.R.S.	01/31/07
CHECKED	
ISSUED	
SHEET 1 OF 1	
CAD FILE	C:/272/272174.DWG

Amphenol Connex

PART DESCRIPTION
7/16 FEMALE TO FEMALE BULKHEAD ADAPTER
PART NO. 272174
DWG. NO. 272174.DWG
REV. A
SIZE A
SCALE NA