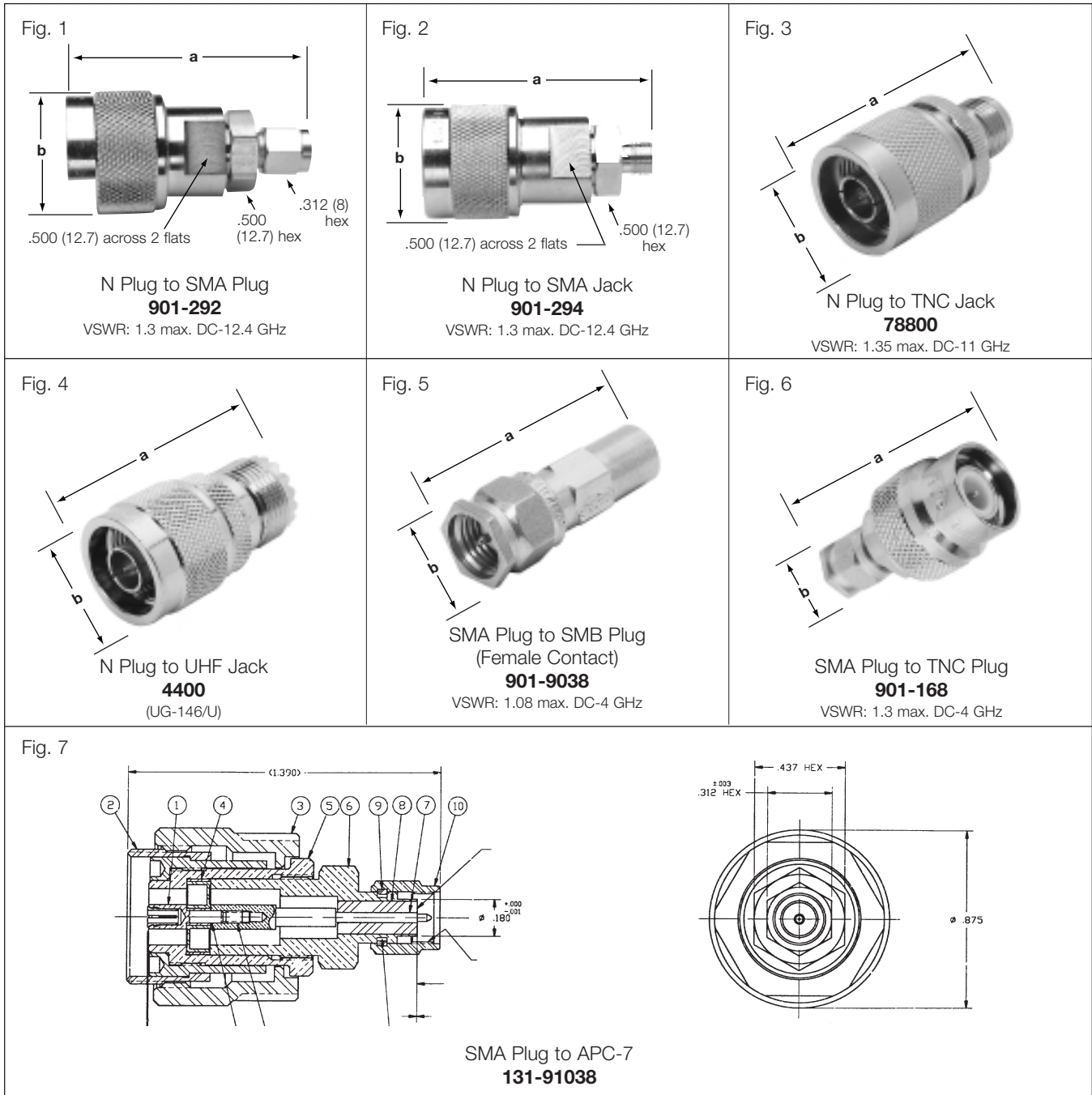


Adapters, Between Series Straight, Plug to Plug or Plug to Jack



Adapters

STRAIGHT ADAPTERS - PLUG TO PLUG OR PLUG TO JACK

| Adapter Ends | | Dimension, inch (millimeters) | | Notes | | Military Number | Amphenol Number | Fig. |
|--------------|----------|-------------------------------|------------------|-------|------|-----------------|---------------------------|------|
| | | a | b | Plt. | Ins. | | | |
| N Plug | SMA Plug | 1.70 (43.2) | .812 (20.6) dia. | P52 | D1 | - | 901-292 | 1 |
| N Plug | SMA Jack | 1.66 (42.1) | .812 (20.6) | P9 | D1 | - | 901-294 | 2 |
| N Plug | TNC Jack | 1.94 (33.3) | .813 (20.6) | P1 | D1 | - | 78800 | 3 |
| N Plug | UHF Jack | 1.41 (35.7) | .813 (20.6) | P1 | D6/8 | UG-146/U | 4400 | 4 |
| SMA Plug | SMB Plug | .875 (22.2) | .312 (7.9) hex. | P29 | D1 | - | 901-9038 | 5 |
| SMA Plug | TNC Plug | 1.12 (28.6) | .593 (15.1) dia. | P51 | D1 | - | 901-168 | 6 |
| SMA Plug | APC-7 | 1.39 (35.3) | .865 (22.0) | P29 | D1 | - | 131-91038 | 7 |