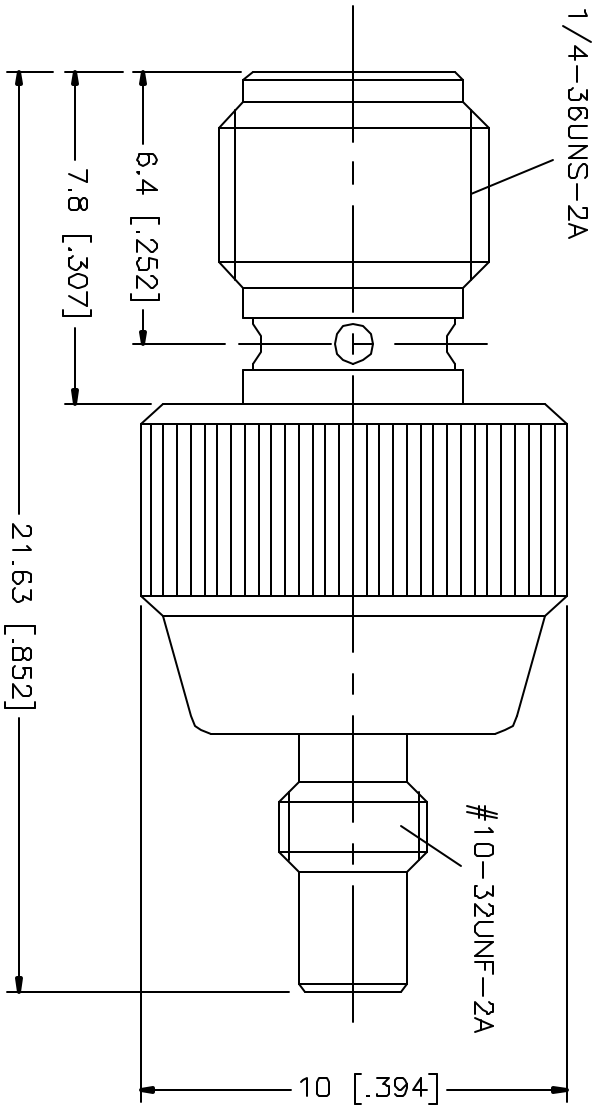


| REV. | DATE | DESCRIPTION |
|------|----------|-----------------|
| NC | 10/31/01 | INITIAL RELEASE |



| DESCRIPTION | MATERIAL | FINISH | DO NOT SCALE DRAWING | APPROVALS | DATE | TITLE | SIZE | FSM NO | PART NO. | DWG NO | REV. | |
|-------------|-------------|------------|---|-----------|----------|--|------|--------|----------|------------|------|--|
| 8 | | | UNLESS OTHERWISE SPECIFIED DIMENSIONS ARE IN MILLIMETERS | DRAWN | 10/31/01 | comnex Connector Corporation SMA JACK TO SMC JACK ADAPTOR | A | 99001 | 242176 | 242176.DWG | NC | |
| 7 | | | DIMENSIONS IN [] ARE IN INCHES FOR CUSTOMER REFERENCE ONLY | CHECKED | | | | | | | | |
| 6 | | | UNLESS OTHERWISE SPECIFIED TOLERANCES FOR MILLIMETERS ARE | ISSUED | | | | | | | | |
| 5 | | | 0.5-6 = ± 0.2 | | | | | | | | | |
| 4 | | | 6-30 = ± 0.4 | | | | | | | | | |
| 3 | CONTACT PIN | BER COPPER | 30-120 = ± 0.6 | | | | | | | | | |
| 2 | INSULATOR | TEFLON | 120-315 = ± 1 | | | | | | | | | |
| 1 | BODY | BRASS | 315-1000 = ± 1.6 | | | | | | | | | |
| | | | 1000-2000 = ± 2.4 | | | | | | | | | |
| | | | DO NOT SCALE DRAWING | | | | | | | | | |
| | | | | | | | | | | | | |