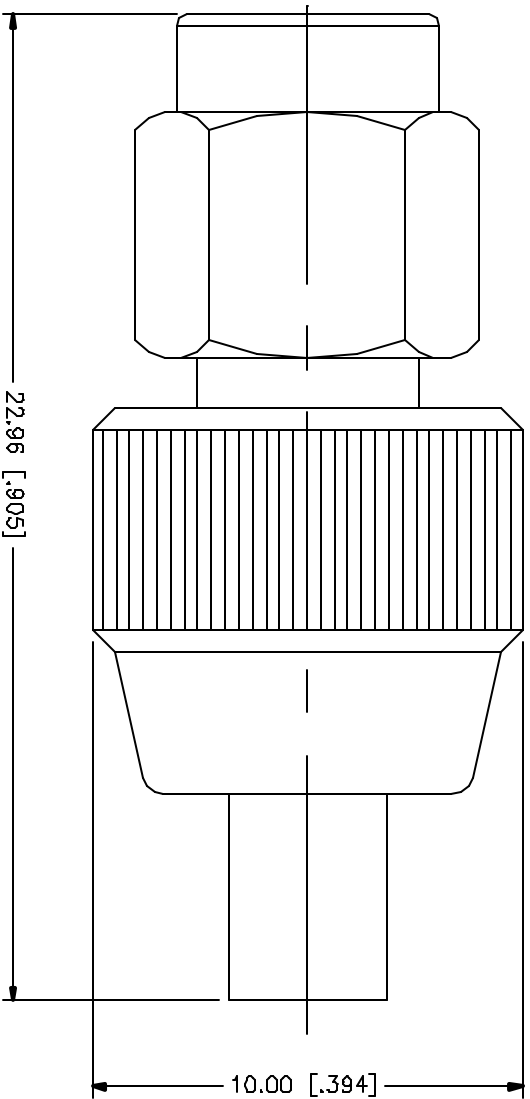


REV.	DATE	DESCRIPTION
A	03/27/05	UPDATE DRAWING FORMAT



QTY	DESCRIPTION	MATERIAL	FINISH	QTY	DATE	DATE	DESCRIPTION	DWG. NO.	REV.	SIZE	SCALE
1	CONTACT PIN	BFR. COPPER	GOLD	1			Amphenol Connex	242126	A	A	NA
1	INSULATOR BODY	TEFLON BRASS	NATURAL GOLD	1		SMA MALE TO MGX FEMALE ADAPTER					
1				1							
<small> PARTS DIMENSIONS SHOWN THROUGHOUT ARE IN MILLIMETERS UNLESS NOTED OTHERWISE IN [] ARE IN INCHES AND PER DIMENSION REFERENCE ONLY. TOLERANCES PER MILITARY SPEC. </small>					<small> APPROVALS DRAWN G.R.S. 03/27/05 CHECKED ISSUED SHEET 1 OF 1 </small>		<small> PART DESCRIPTION SMA MALE TO MGX FEMALE ADAPTER PART NO. 242126 </small>				
<small> TYPICAL DIMENSIONS SHOWN THROUGHOUT ARE IN MILLIMETERS UNLESS NOTED OTHERWISE IN [] ARE IN INCHES AND PER DIMENSION REFERENCE ONLY. TOLERANCES PER MILITARY SPEC. 0.3 - 3.0mm ± 0.25mm 3.0 - 12.0mm ± 0.40mm 12.0 - 30.0mm ± 0.50mm 30.0 - 120.0mm ± 0.50mm </small>					<small> DIM. FILE C:/242/242126.DWG </small>		<small> DIM. NO. 242126.DWG REV. A SIZE A SCALE NA </small>				