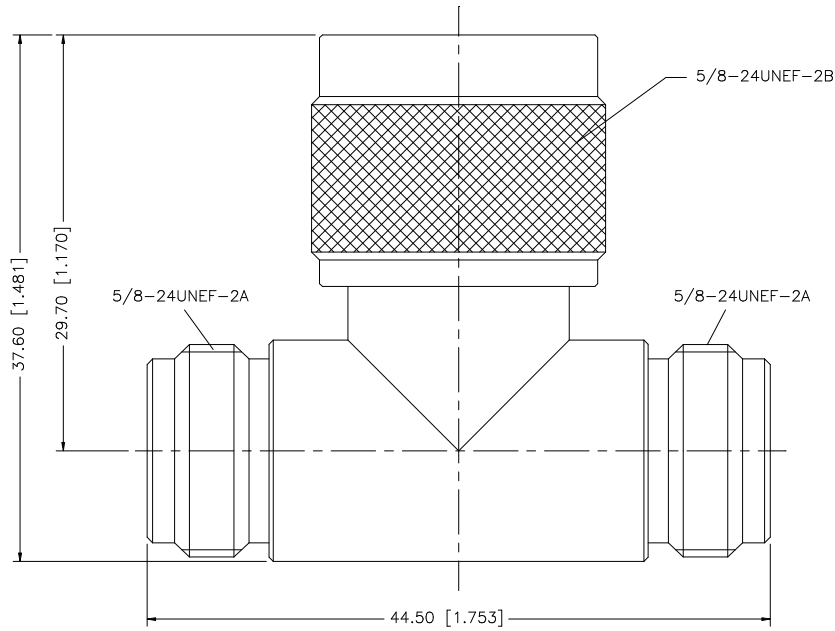


REV.	DATE	DESCRIPTION
NC	06/03/96	INITIAL RELEASE
A	10/01/06	UPDATE DRAWING FORMAT
B	10/19/06	REVISE BODY PLATING TO NEXCOTE



REV.	DESCRIPTION	MATERIAL	FINISH	QTY	APPROVALS	DATE	Amphenol Connex			
8					DRAWN	G.R.S.	10/19/06	N "T" ADAPTER JACK-PLUG-JACK PART NO. 172125 DWG. NO. 172125.DWG REV. B SIZE A SCALE NA		
7				CHECKED						
6				ISSUED						
5				SHEET	1 OF 1					
4				CAD FILE	C:/172/172125.DWG					
3	CONTACT PIN	BRASS	GOLD	3	<small>UNLESS OTHERWISE SPECIFIED DIMENSIONS ARE IN MILLIMETERS. DIMENSIONS IN [] ARE IN INCHES AND FOR CUSTOMER REFERENCE ONLY.</small> <small>UNLESS OTHERWISE SPECIFIED TOLERANCES FOR MILLIMETERS ARE:</small> 0.5 - 8mm ± 0.20mm 8 - 30mm ± 0.40mm 30 - 120mm ± 0.50mm <small>UNLESS OTHERWISE SPECIFIED TOLERANCES FOR INCHES ARE:</small> .020 - .315 = ± 0.007" .315 - 1.180 = ± 0.015" 1.180 - 4.724 = ± 0.020" DO NOT SCALE DRAWING					
2	INSULATOR	TEFLON	NATURAL	1						
1	BODY	BRASS	NEXCOTE	1						