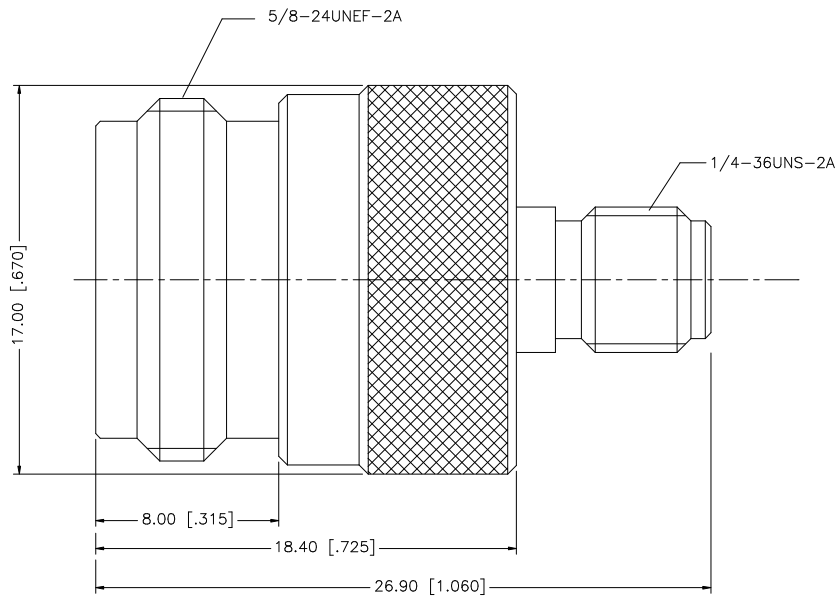


REV.	DATE	DESCRIPTION
NC	01/08/97	INITIAL RELEASE
A	06/10/07	UPDATE DRAWING FORMAT



REV.	DESCRIPTION	MATERIAL	FINISH	QTY	APPROVALS	DATE	Amphenol Connex				
8					DRAWN	G.R.S.	06/10/07	SMA FEMALE TO N FEMALE ADAPTER - 242115			
7				CHECKED							
6				ISSUED							
5				SHEET	1 OF 1						
4							PART NO.	242115			
3	CONTACT PIN	PHOS. BRONZE	GOLD	1			DWG. NO.	242115.DWG	REV. A	SIZE A	SCALE NA
2	INSULATOR	TEFLON	NATURAL	1							
1	BODY	BRASS	NICKEL	1							
	DESCRIPTION	MATERIAL	FINISH	QTY	CAD FILE		C:/242/242115.DWG				

UNLESS OTHERWISE SPECIFIED DIMENSIONS ARE IN MILLIMETERS. DIMENSIONS IN () ARE IN INCHES AND FOR CUSTOMER REFERENCE ONLY.

UNLESS OTHERWISE SPECIFIED TOLERANCES FOR MILLIMETERS ARE:
 0.5 - 8mm ± 0.20mm
 8 - 30mm ± 0.40mm
 30 - 120mm ± 0.50mm

UNLESS OTHERWISE SPECIFIED TOLERANCES FOR INCHES ARE:
 .020 - .315 = ± 0.007"
 .315 - 1.180 = ± 0.015"
 1.180 - 4.724 = ± 0.020"

DO NOT SCALE DRAWING