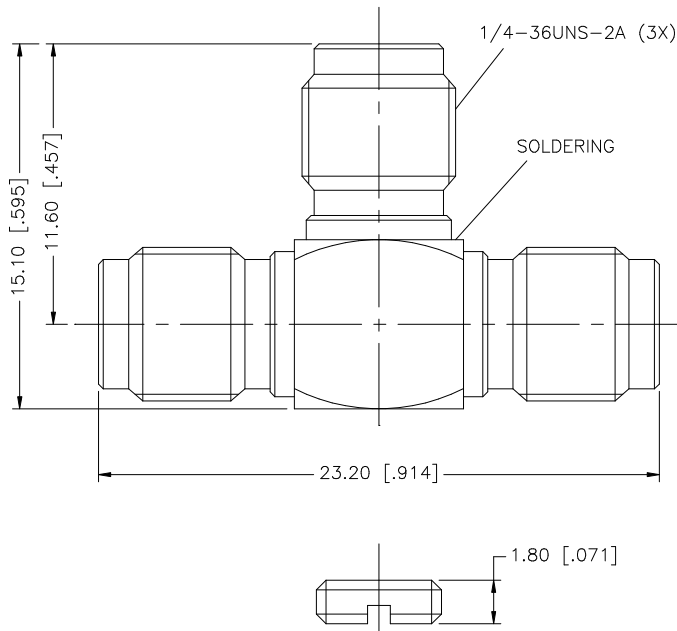


REV.	DATE	DESCRIPTION
NC	12/08/97	INITIAL RELEASE
A	09/24/06	UPDATE DRAWING FORMAT



REV.	DATE	DESCRIPTION
8		
7		
6		
5		
4		
3		
2		
1		

DESCRIPTION	MATERIAL	FINISH	QTY
CONTACT PIN	BER. COPPER	GOLD	3
INSULATOR	TEFLON	NATURAL	1
BODY	BRASS	GOLD	1

UNLESS OTHERWISE SPECIFIED DIMENSIONS ARE IN MILLIMETERS. DIMENSIONS IN [] ARE IN INCHES AND FOR CUSTOMER REFERENCE ONLY.	APPROVALS	DATE
UNLESS OTHERWISE SPECIFIED TOLERANCES FOR MILLIMETERS ARE: 0.5 - 8mm ± 0.20mm 8 - 30mm ± 0.40mm 30 - 120mm ± 0.50mm	DRAWN G.R.S.	09/24/06
UNLESS OTHERWISE SPECIFIED TOLERANCES FOR INCHES ARE: .020 - .315 = ± 0.007" .315 - 1.180 = ± 0.015" 1.180 - 4.724 = ± 0.020"	CHECKED	
DO NOT SCALE DRAWING	ISSUED	
	SHEET 1 OF 1	
	CAD FILE C:/132/132216.DWG	

Amphenol Connex	
PART DESCRIPTION	SMA "T" ADAPTER JACK-JACK-JACK
PART NO.	132216
DWG. NO.	132216.DWG
REV.	A
SIZE	A
SCALE	NA