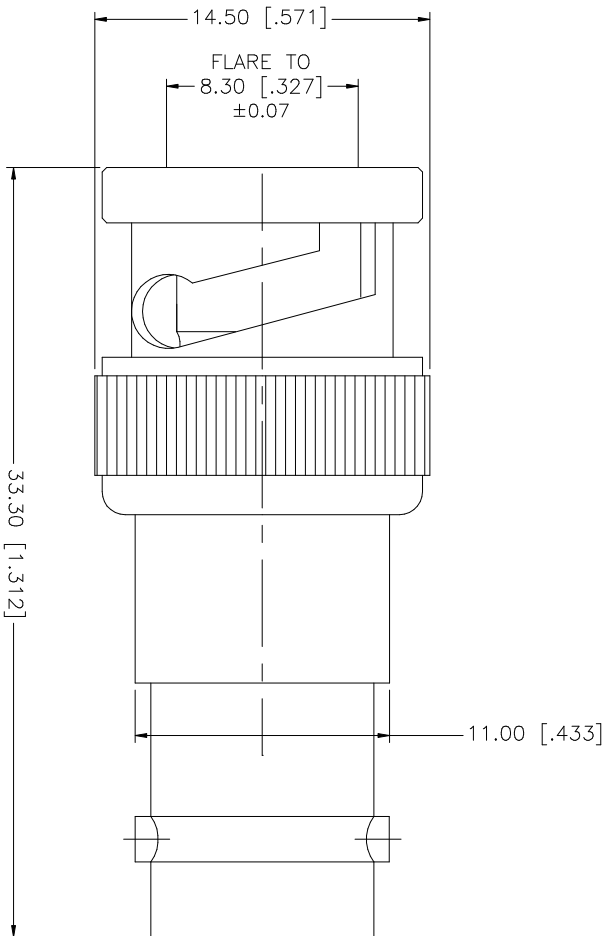


REV.	DATE	DESCRIPTION
NC	08/07/01	INITIAL RELEASE
A	09/20/05	UPDATE DRAWING FORMAT



QTY	DESCRIPTION	MATERIAL	FINISH	FINISH	QTY	UNLESS OTHERWISE SPECIFIED DIMENSIONS ARE IN MILLIMETERS DIMENSIONS IN INCHES ARE FOR CUSTOMER REFERENCE ONLY.	UNLESS OTHERWISE SPECIFIED DIMENSIONS ARE IN MILLIMETERS DIMENSIONS IN INCHES ARE FOR CUSTOMER REFERENCE ONLY.	UNLESS OTHERWISE SPECIFIED DIMENSIONS ARE IN MILLIMETERS DIMENSIONS IN INCHES ARE FOR CUSTOMER REFERENCE ONLY.	UNLESS OTHERWISE SPECIFIED DIMENSIONS ARE IN MILLIMETERS DIMENSIONS IN INCHES ARE FOR CUSTOMER REFERENCE ONLY.	UNLESS OTHERWISE SPECIFIED DIMENSIONS ARE IN MILLIMETERS DIMENSIONS IN INCHES ARE FOR CUSTOMER REFERENCE ONLY.	UNLESS OTHERWISE SPECIFIED DIMENSIONS ARE IN MILLIMETERS DIMENSIONS IN INCHES ARE FOR CUSTOMER REFERENCE ONLY.
1	CONTACT PIN	PHOS. BRONZE	GOLD		1						
1	INSULATOR BODY	TEFLON BRASS	NATURAL NICKEL		1						
1	DESCRIPTION				1						

APPROVALS	DATE	UNLESS OTHERWISE SPECIFIED DIMENSIONS ARE IN MILLIMETERS DIMENSIONS IN INCHES ARE FOR CUSTOMER REFERENCE ONLY.
DRAWN G.R.S.	09/20/05	
CHECKED		
ISSUED		
SHEET 1 OF 1		

PART DESCRIPTION	PART NO.	DWG. NO.	REV.	SIZE	SCALE
Amphenol Connex					
BNC PLUG TO JACK ADAPTER - 50ohm	112667	112667.DWG	A	A	NA