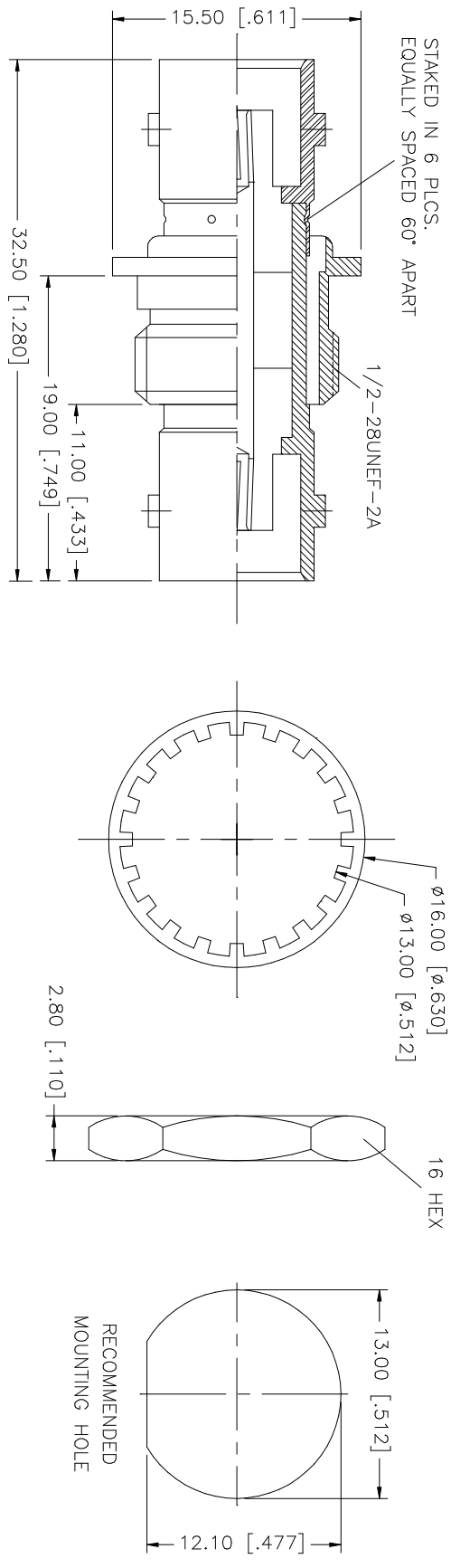


| REV. | DATE | DESCRIPTION |
|------|----------|-----------------------|
| A | 01/07/04 | UPDATE DRAWING FORMAT |



| QTY | FINISH | MATERIAL | DESCRIPTION |
|-----|---------|--------------|-------------|
| 1 | NICKEL | BRASS | LOCK WASHER |
| 1 | NICKEL | BRASS | HEX NUT |
| 1 | GOLD | PHOS. BRONZE | CONTACT PIN |
| 1 | NATURAL | DELIRIN | INSULATOR |
| 1 | NICKEL | BRASS | BODY |

| UNLESS OTHERWISE SPECIFIED DIMENSIONS ARE IN INCHES AND FOR CUSTOMER REFERENCE ONLY. | UNLESS OTHERWISE SPECIFIED DIMENSIONS ARE IN MILLIMETERS AND FOR CUSTOMER REFERENCE ONLY. |
|--|---|
| TOLERANCES FOR MILLIMETERS ARE: | TOLERANCES FOR MILLIMETERS ARE: |
| 0.5 - 8mm ± 0.20mm | 0.5 - 8mm ± 0.20mm |
| 8 - 30mm ± 0.40mm | 8 - 30mm ± 0.40mm |
| 30 - 120mm ± 0.50mm | 30 - 120mm ± 0.50mm |

| UNLESS OTHERWISE SPECIFIED DIMENSIONS ARE IN INCHES AND FOR CUSTOMER REFERENCE ONLY. | UNLESS OTHERWISE SPECIFIED DIMENSIONS ARE IN MILLIMETERS AND FOR CUSTOMER REFERENCE ONLY. |
|--|---|
| TOLERANCES FOR INCHES ARE: | TOLERANCES FOR INCHES ARE: |
| .020 - .315 = ± 0.007" | .020 - .315 = ± 0.007" |
| .315 - 1.180 = ± 0.015" | .315 - 1.180 = ± 0.015" |
| 1.180 - 4.724 = ± 0.020" | 1.180 - 4.724 = ± 0.020" |

| APPROVALS | DATE |
|--------------|----------|
| DRAWN G.R.S. | 01/07/04 |
| CHECKED | |
| ISSUED | |
| SHEET 1 OF 1 | |

| PART DESCRIPTION | PART NO. | DWG. NO. | REV. | SIZE | SCALE |
|--|----------|------------|------|------|-------|
| Amphenol Connex | 112440 | 112440.DWG | A | A | NA |
| BNC FEMALE TO FEMALE BULKHEAD ISOLATED ADAPTER - 75ohm | | | | | |