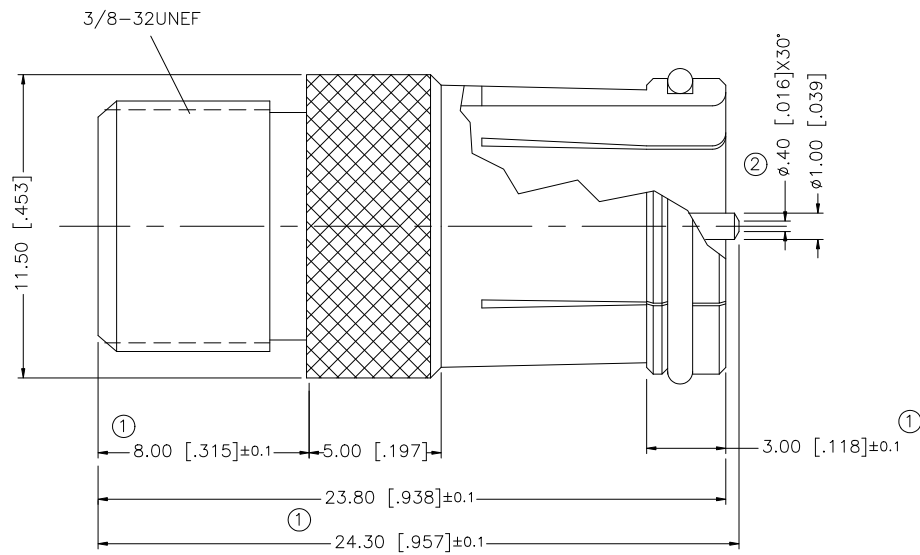


REV.	DATE	DESCRIPTION
NC	11/06/99	INITIAL RELEASE
A	12/27/05	UPDATE DRAWING FORMAT
B	04/20/06	REVISE BODY DIMENSIONS ①
C	07/12/07	ADD CHAMFER TO CONTACT PIN ②



DESCRIPTION	MATERIAL	FINISH	QTY	DO NOT SCALE DRAWING	APPROVALS	DATE	Amphenol Connex					
8					DRAWN	G.R.S.	07/12/07	<b>F FEMALE TO QUICK DISCONNECT MALE ADAPTER</b> PART NO. 222157				
7					CHECKED		PART DESCRIPTION					
6					ISSUED		F FEMALE TO QUICK DISCONNECT MALE ADAPTER					
5					SHEET	1 OF 1	PART NO. 222157					
4	CONTACT PIN	BRASS	BRIGHT TIN	1	CAD FILE		C:/222/222157.DWG				DWG. NO.	222157.DWG
3	INSULATOR	P.P.	NATURAL	1	UNLESS OTHERWISE SPECIFIED DIMENSIONS ARE IN MILLIMETERS. DIMENSIONS IN [ ] ARE IN INCHES AND FOR CUSTOMER REFERENCE ONLY. TOLERANCES FOR MILLIMETERS ARE: 0.5 - 8mm ± 0.20mm 8 - 30mm ± 0.40mm 30 - 120mm ± 0.50mm UNLESS OTHERWISE SPECIFIED TOLERANCES FOR INCHES ARE: .020 - .315 = ± 0.007" .315 - 1.180 = ± 0.015" 1.180 - 4.724 = ± 0.020"							
2	INSULATOR	DELTRIN	NATURAL	1								
1	BODY	BRASS	NICKEL	1								