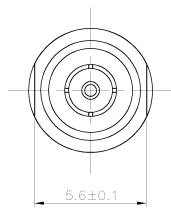
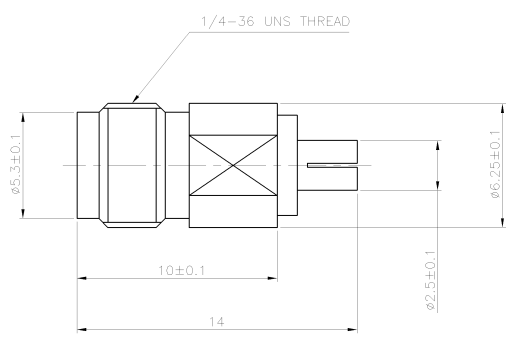


NUMBER C-1775230
METRIC

THIS INFORMATION IS CONFIDENTIAL AND IS DECLASSIFIED TO YOU ON CONDITION THAT NO FURTHER DISCLOSURE IS MADE BY YOU TO OTHER THAN AMP PERSONNEL WITHOUT DIMENSIONS IN MILLIMETERS. DO NOT SCALE PRINT.



NOTE:

- MATERIAL:
SMA BODY: BRASS.
CENTER CONTACT: BRASS.
GROUND CONTACT: BRASS.
INSULATOR: TEFLON, UL 94V-0, WHITE COLOR.
- FINISH:
0.03302μm [1.3μ"] MIN. GOLD PLATED OVER 1.27μm [50μ"] MIN. NICKEL ON SMA BODY, CENTER CONTACT & GROUND CONTACT.

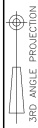
PRINT DW

A	FIRST RELEASED	--	AW	SH	15JUN 2006
LTR	REVISION RECORD	ECN	DWS	CHK	DATE

TOLERANCES UNLESS OTHERWISE SPECIFIED:		DWN	A. WU	1775230-1	
0	FLC ±	CHK	S. HOU	PART NUMBER	
1	FLC ±0.3	15-JUN-2006		TYCO HOLDINGS (BERMUDA) VII LTD. TAIWAN BRANCH	
2	FLC ±0.2	15-JUN-2006		NAME	
3	FLC ±0.1	15-JUN-2006		SMA CONVERSION ADAPTOR UMCC TYPE II/III (AMC-901)	
ANGLES ±5°		APVD		W.J. KE	
MATERIAL		SEE NOTE		15-JUN-2006	
PRODUCT SPEC		-		LOC	
FINISH		SEE NOTE		SIZE	
QUALIFICATION TEST REPORT		-		DRAWING NO	
WEIGHT		1.55 GRAMS		DW A ₃	
SCALE		-		C-1775230	
SHEET		1 OF 2		REV	
				A	

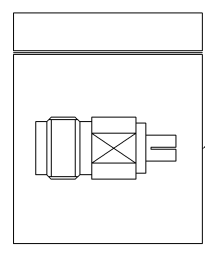
CUSTOMER DRAWING

NUMBER C-1775230

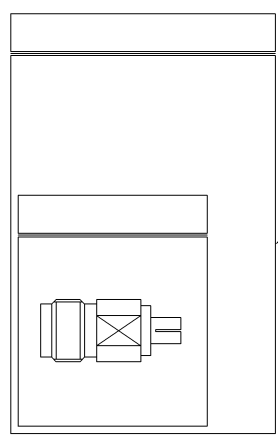


METRIC

THIS INFORMATION IS CONFIDENTIAL AND IS RELEASED TO YOU ON CONDITION THAT NO FURTHER DISCLOSURE IS MADE BY YOU TO OTHER THAN AMP PERSONNEL WITHOUT DIMENSIONS IN MILLIMETERS. DO NOT SCALE PRINT.



INNER BAG
50 X 50 X 0.04



OUTER BAG
70 X 100 X 0.04

20.3 g	15.7 g	1	10	10 PCS
GROSS WEIGHT	NET WEIGHT	PCS /INNER BAG	INNER BAGS /OUTER BAG	QUANTITY

TOLERANCES UNLESS OTHERWISE SPECIFIED:	DWN	A. WU	tyco TYCO HOLDINGS (BERMUDA)	
0 PLC ±		15-JUN-2006	VII LTD. TAIWAN BRANCH	
1 PLC ±	CHK	S. HOU	Electronics	
2 PLC ±		15-JUN-2006	NAME	
3 PLC ±			SMA CONVERSION ADAPTOR	
ANGLES ±			UMCC TYPE II/III (AMC-901)	
MATERIAL	APVD	W.J. KE	LOC	SIZE
-		15-JUN-2006	DW	A ₃
FINISH	PRODUCT SPEC		DRAWING NO	REV
-			C-1775230	A
	APPLICATION SPEC		SCALE	SHEET
	WEIGHT		--	2 OF 2

LTR	SEE SHEET 1.	ECN	DWN/CHK	DATE
	REVISION RECORD			

CUSTOMER DRAWING