

4

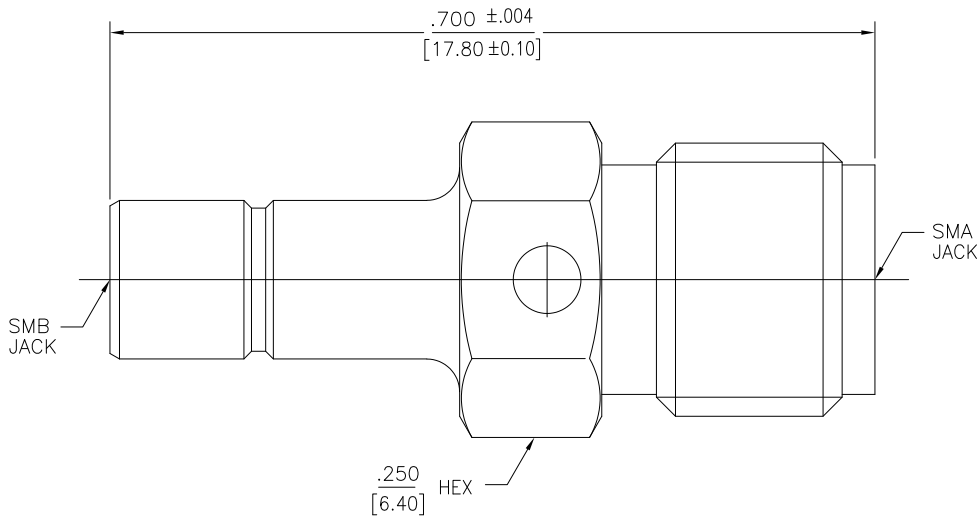
3

2

1

THIS DRAWING IS UNPUBLISHED. RELEASED FOR PUBLICATION
 © COPYRIGHT BY TYCO ELECTRONICS CORPORATION. ALL RIGHTS RESERVED.

LOC		DIBT		REVISIONS			
AJ	00	P	LTR	DESCRIPTION	DATE	BY	APPD
		B		REV PER EDD 07-027477	12DEC2007	DW	JL



1060487-1
 PART NUMBER

HOUSING	STAINLESS STEEL PER ASTM-A484 AND ASTM-A582, TYPE 303	GOLD PLATE PER MIL-G-45204
DIELECTRIC	PTFE FLUOROCARBON PER ASTM-D-1457	N/A
CENTER CONTACT	BERYLLIUM COPPER PER ASTM-B-196 OR ASTM-B-197, ALLOY C17300, CONDITION H	GOLD PLATE PER MIL-G-45204
COMPONENT	MATERIAL	FINISH

NOTES:
 1. CAPTURED CENTER CONTACT.

THIS DRAWING IS A CONTROLLED DOCUMENT.		DRW 4-20-77	Tyco Electronics Corporation Harrisburg, PA 17105-3608	
DIMENSIONS:		CHK 4-25-77	NAME	
INCHES		K/W 4/25/77	SMA JACK TO SMB JACK ADAPTER (5180-2240-00)	
OTHER DIMENSIONS:		DATE	SIZE	CAGE CODE (DRAWING NO)
0 PLC ± .005		PRODUCT SPEC	A2	00779
1 PLC ± .005		APPLICATION SPEC	C=1060487-1	
2 PLC ± .005 (0.13)		WEIGHT	RESTRICTED TO	
3 PLC ± .005		FINISH	CUSTOMER DRAWING	
4 PLC ± .005			SCALE	1:1
ANGLES ± .1°			SHEET	1 of 1
			REV	B

1060487-1

A