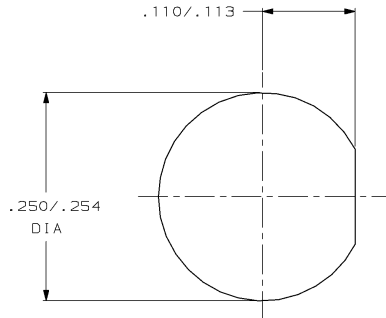
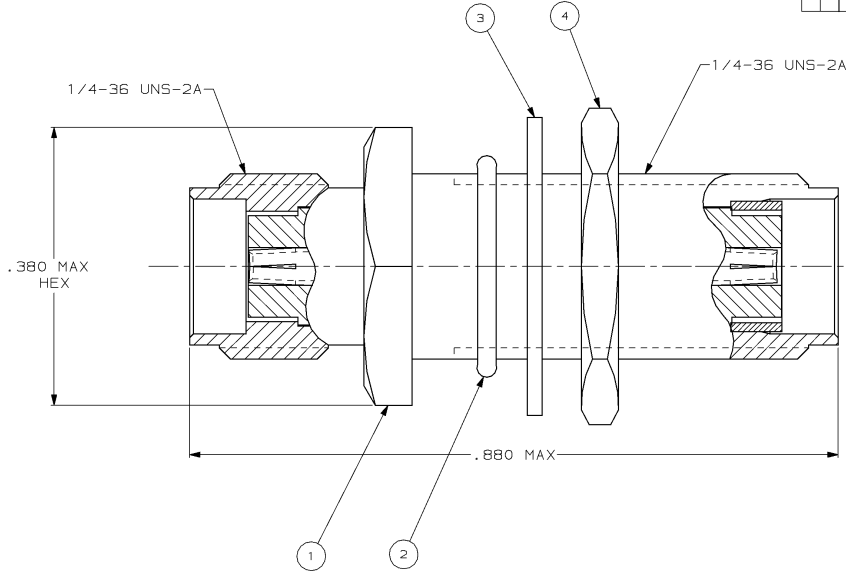


DRAWING MADE IN THIRD ANGLE PROJECTION
 THIS DRAWING IS UNPUBLISHED. RELEASED FOR PUBLICATION
 © COPYRIGHT 19 BY AMP INCORPORATED. ALL INTERNATIONAL RIGHTS RESERVED.

LOC	DIST	ZONE	LTR	REVISIONS	DATE	APPD
AJ	16			B	REV AND REDRAWN ECN DF-3529	-
				C	REV PER DF-1249 TT	04-93 JC
				D	REV PER 0503-0044-96	8-22-96 JL



2-332004-0	1-22145-3	1-22130-6	447197-1	221643-1
④ NUT, JAM QTY=1	③ WASHER, LOCK QTY=1	② O-RING QTY=1	① SUBASSY SERIES SMA QTY=1	PART NUMBER

DO NOT SCALE PRINT. UNLESS SPECIFIED DIMENSIONS IN INCHES TOLERANCES ON: 2 PLC DEC ± - 3 PLC DEC ± - ANGLES ± -	DR 6-21-90 M.E. PASTAL CHK 04-21-93 J. CABARLO APPD 04-21-93 J. CABARLO PRODUCT SPEC - APPLICATION SPEC - WEIGHT -	<p>AMP AMP Incorporated Harrisburg, PA 17105-3608</p> <p>NAME ADAPTER, JACK, BULKHEAD, SERIES SMA</p> <p>SIZE 00779 DRAWING NO 221643 SCALE NTS SHEET 1 OF 1</p>
-----------------------------------------------------------------------------------------------------------------------------------	--------------------------------------------------------------------------------------------------------------------------------------------------	-----------------------------------------------------------------------------------------------------------------------------------------------------------------------------------------------------------------------

CUSTOMER DRAWING

221643

A