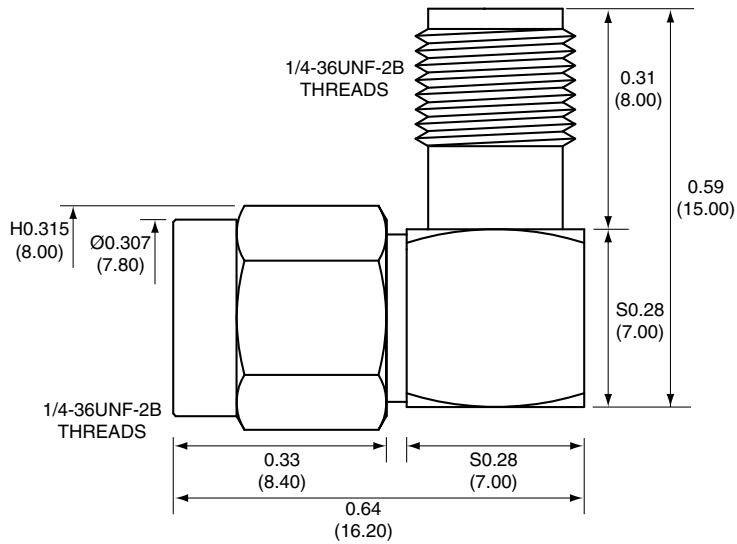


| 1 | | |
|-------------|-----------|--------|
| Description | Material | Finish |
| Body | Brass | Nickel |
| Pin | PH Bronze | Gold |
| Insulation | Teflon | Teflon |
| Gasket | SI Rubber | Rubber |
| Washer | PH Bronze | Nickel |

SIDE VIEW



| | | |
|---|----------------|--|
| Title SMA MALE TO SMA FEMALE RIGHT ANGLE ADAPTOR | | CONNECTOR CITY 159 ORT LANE MERLIN, OR 97532 |
| Part No. CONSMA010 | Revision: 1.0 | PH (541)-471-6256 FAX (541)-471-6251 |
| Dimensions: INCHES (mm) | Date: 6/2/2006 | Sheet 1 of 1 |

