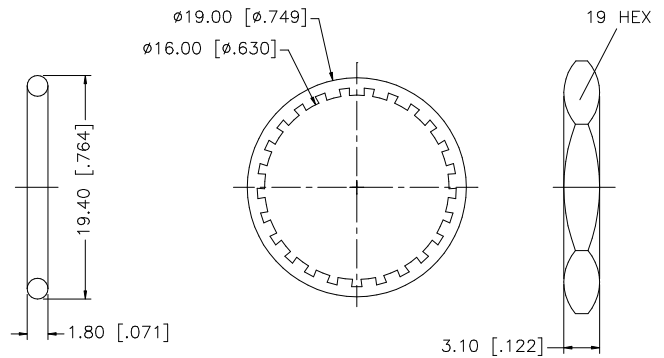
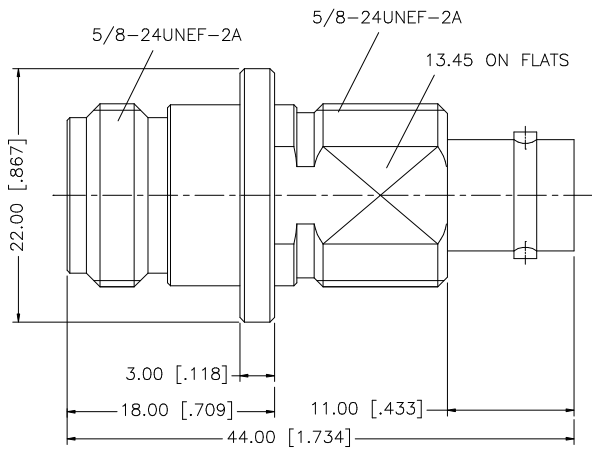
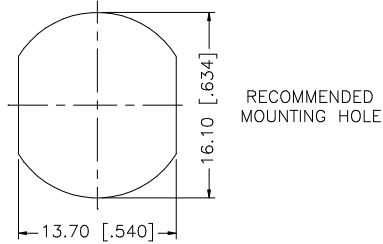


REV.	DATE	DESCRIPTION
NC	12/09/00	INITIAL RELEASE
A	11/30/06	UPDATE DRAWING FORMAT



DESCRIPTION	MATERIAL	FINISH	QTY	UNLESS OTHERWISE SPECIFIED DIMENSIONS ARE IN MILLIMETERS; DIMENSIONS IN [ ] ARE IN INCHES AND FOR CUSTOMER REFERENCE ONLY.	APPROVALS	DATE	Amphenol Connex						
8							PART DESCRIPTION <b>N JACK TO BNC BULKHEAD</b>						
7													
6	HEX NUT	BRASS	NICKEL	1	DRAWN	G.R.S.					11/30/06		
5	LOCK WASHER	BRASS	NICKEL	1	CHECKED			PART NO. <b>242162</b>					
4	GASKET	SILICONE	RED	1	ISSUED			DWG. NO. 242162.DWG					
3	CONTACT PIN	PHOS. BRONZE	GOLD	1	SHEET	1 OF 1		REV.	A	SIZE	A	SCALE	NA
2	INSULATOR	TEFLON	NATURAL	1	CAD FILE	C:/242/242162.DWG							
1	BODY	BRASS	NICKEL	1									
				UNLESS OTHERWISE SPECIFIED TOLERANCES FOR MILLIMETERS ARE: 0.5 - 8mm ± 0.20mm 8 - 30mm ± 0.40mm 30 - 120mm ± 0.50mm UNLESS OTHERWISE SPECIFIED TOLERANCES FOR INCHES ARE: .020 - .315 = ± 0.007" .315 - 1.180 = ± 0.015" 1.180 - 4.724 = ± 0.020"									
				DO NOT SCALE DRAWING									