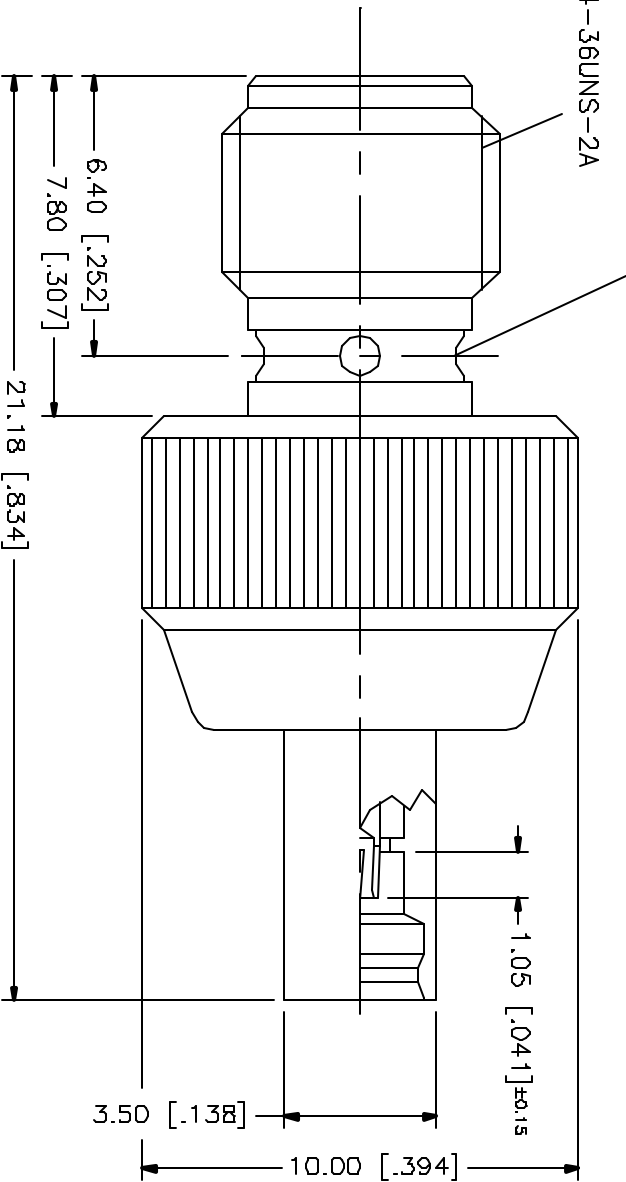


REV.	DATE	DESCRIPTION
A	03/27/05	UPDATE DRAWING FORMAT

STAKE IN 4 PLACES
EQUALLY SPACED 90° APART

1/4-36UNS-2A



B																			
7																			
6																			
5																			
4																			
3	CONTACT PIN	BER. COPPER	BOLD	1															
2	INSULATOR BODY	TEFLON BRASS	NATURAL GOLD	1															
1																			
	DESCRIPTION	MATERIAL	FINISH	QTY															
UNLESS OTHERWISE SPECIFIED, DIMENSIONS ARE IN MILLIMETERS, INDICATED IN () ARE IN INCHES AND FOR CUSTOMER REFERENCE DATA. UNLESS OTHERWISE SPECIFIED, DIMENSIONS FOR ALL OTHER ARE: 0.5 - 8mm ± 0.20mm 8 - 30mm ± 0.40mm 30 - 120mm ± 0.50mm UNLESS OTHERWISE SPECIFIED, TOLERANCES FOR Holes ARE: Ø20 - .315 ± 0.007" .315 - 1.180 ± 0.015" 1.180 - 4.724 ± 0.020" DO NOT SCALE DRAWING					APPROVALS DRAWN G.R.S. DATE 03/27/05 CHECKED ISSUED SHEET 1 OF 1			CAD FILE C:/242/242143.DWG DWG. NO. 242143.DWG REV. A SIZE A SCALE NA			Amphenol Connex PART DESCRIPTION SMA JACK TO MCGX JACK ADAPTER PART NO. 242143								